

ALPINE SERVICE

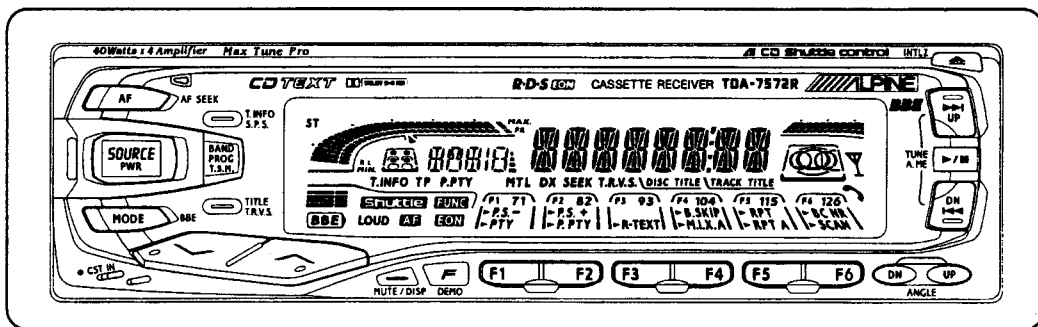


ALPI-00465

MANUAL

FM/MW/LW/RDS Cassette Receiver CD Shuttle Controller

Caution: The part marked with \triangle is generating a high voltage, so care will be necessary when working.



(TDA-7572R)

TDA-7572R TDA-7570R

Contents

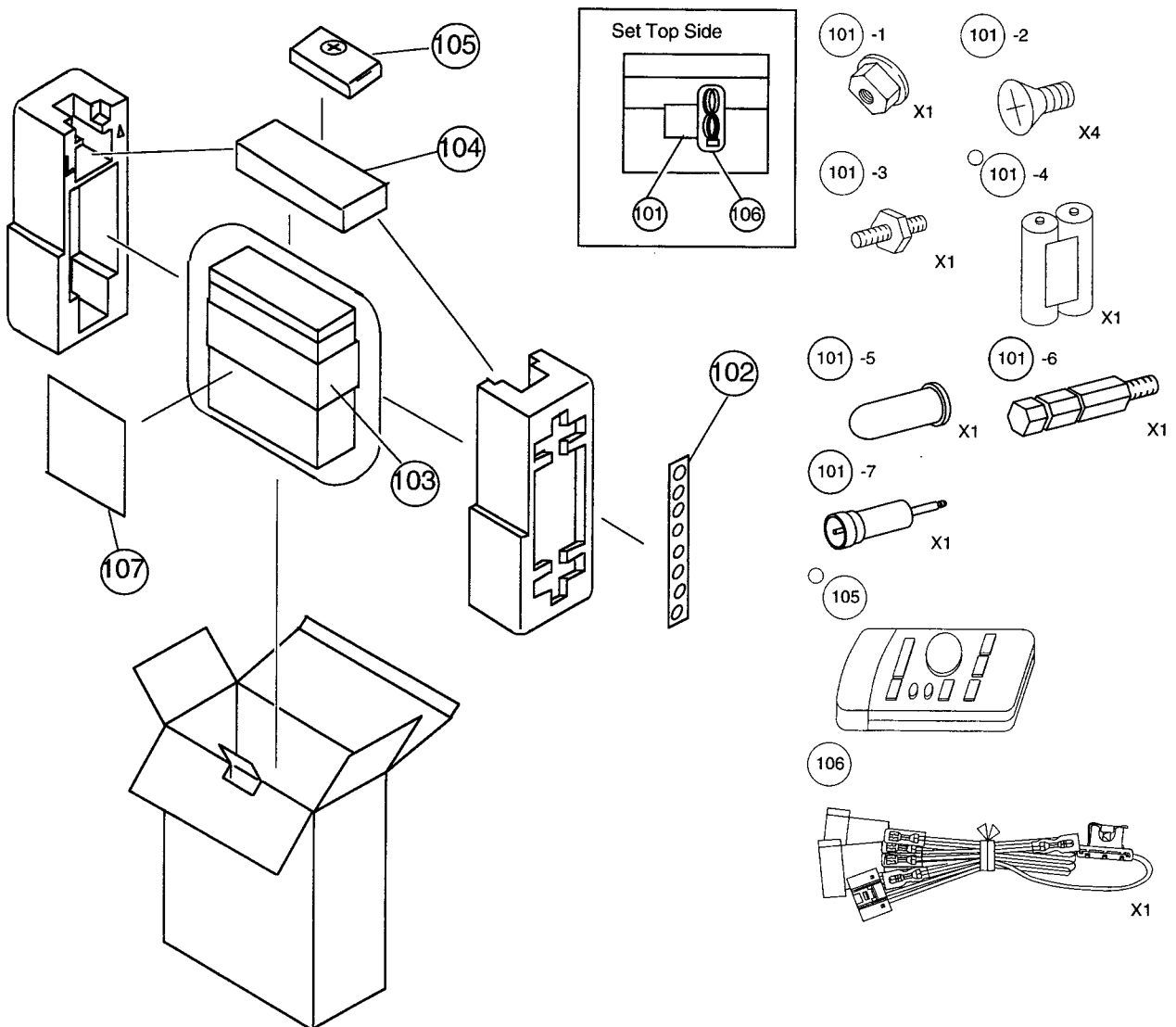
Packing Assembly Parts List	3
Packing Method View	3
Specifications	4, 5
Adjustment Procedures	6 to 8
Adjustment Locations	8
Block Diagram	9
Tuner Schematic Diagram	10
Parts Layout on P.W. Boards and Wiring Diagram (1/4)	11, 12
Parts Layout on P.W. Boards and Wiring Diagram (2/4)	13, 14
Parts Layout on P.W. Boards and Wiring Diagram (3/4)	15, 16
Parts Layout on P.W. Boards and Wiring Diagram (4/4)	17, 18
Schematic Diagram (1/7)	19 to 21
Schematic Diagram (2/7)	22 to 24
Schematic Diagram (3/7)	25 to 27
Schematic Diagram (4/7)	28 to 30
Schematic Diagram (5/7)	31 to 33
Schematic Diagram (6/7)	34 to 36
Schematic Diagram (7/7)	37 to 39
Description of IC Terminal	40 to 44
Electrical Parts List	45 to 54
Exploded View (Cabinet)	55, 56
Cabinet Assembly Parts List	57
Disassembly Instructions	58
Semi-Conductor Lead Identifications	59
Cassette Deck Mechanism Assembly Parts List	60
Exploded View (Cassette Deck Mechanism) (GR75S29C/29B)	61, 62

Packing Assembly Parts List

Symbol No.	Part No.	Description	Symbol No.	Part No.	Description
	101-1	02B47353F01 Nut, Hex. (M5)	○	105	01T00716K02 Assy., Remocon
	101-2	03S72235F13 Screw, Countersink (M5X8)		106	01T15359Y04 Assy., ISO Connector
	101-3	46A42363F01 Stud, Bolt		107-1	68P21523Y46 Owner's Manual
○	101-4	60T55630W01 Battery, MGN R03 (NB) UM-4		107-2	68P21523Y47 Owner's Manual (I/G/S)
	101-5	36A11113W01 Cap, Rubber (A)			
	101-6	03A11112W01 Bolt, Hex. (M5)			
	101-7	01T15394Y02 Antenna, JASO-ISO			
	102	07B64552F01 Bracket, Strap Receiver			
	103	15D50406W01 Case, Inner			
	104	15D71506W03 Carrying, Case			

NOTE : ○ : For TDA-7572R Model Only, Others : Common.

Packing Method View



NOTE : ○ : For TDA-7572R Model Only, Others : Common.

Specifications

<FM RADIO>

Intermediate Frequency	10.7±0.1MHz
Frequency Range	87.5~108MHz
Usable Sensitivity (30dB S/N, 98.1MHz, Mono)	17.2dBf
-3dB Limiting Sensitivity (98.1MHz)	21.2dBf
S/N Ratio (98.1MHz, Stereo)	55dB
Image Rejection (106.1MHz)	40dB
IF Rejection (90.1MHz)	60dB
Distortion (Input 60dBμ, 98.1MHz)	1%
Frequency Response (98.1MHz, Ref. 400Hz)	100Hz : 0±3dB 10kHz : -14±3dB
Stereo Separation (1kHz, 98.1MHz)	20dB
Residual Noise (98.1MHz, Ref. 400Hz)	30±10dB
PS Sensitivity (98.1MHz)	36.2dBf

<MW RADIO>

Intermediate Frequency	1st. : 10.7MHz 2nd. : 450kHz
Frequency Range	531~1,602kHz
Sensitivity (20dB S/N, 999kHz)	41dB
S/N Ratio (999kHz)	44dB
Image Rejection (1,404kHz)	40dB
IF Rejection (603kHz)	50dB
Distortion (999kHz)	1.5%
Frequency Response (999kHz, Ref. 400Hz)	100Hz : -3±4dB 2.5kHz : -3+3, -5dB

<LW RADIO>

Intermediate Frequency	1st. : 10.7MHz 2nd. : 450kHz
Frequency Range	153~281kHz
Sensitivity (20dB S/N, 216kHz)	44dB
S/N Ratio (216kHz)	44dB
Image Rejection (270kHz)	35dB
IF Rejection (162kHz)	50dB
Distortion (216kHz)	1.5%
Frequency Response (216kHz, Ref. 400Hz)	100Hz : -3±4dB 2.5kHz : -3+3, -5dB

<TAPE PLAYER>

Wow & Flutter (JIS, WRMS/MTT-111N)	0.2%
Tape Speed (MTT-111N)	4.76cm/sec.+3 to -1%
S/N Ratio	52dB
Distortion (MTT-118N)	2%
Frequency Response (3dB)	250Hz~10kHz
Crosstalk (MTT-121N)	45dB
Separation (MTT-141N)	35dB

<GENERAL>

Power Supply	DC14.4V
Power Output (T.H.D. 10%) /Impedance	16W/ch/4ohm
Dimensions (W×H×D)	Nose : 188×58×20.4mm Chassis : 178×50×158mm
Weight	1.5kg

NOTE : Due to Continuing product improvement, specifications and designs are subject to change without notice.

Adjustment Procedures

1. FM/AM SECTION

(1) Dummy Antenna Circuit

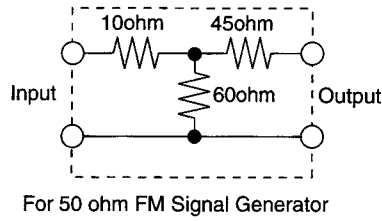


Figure 1

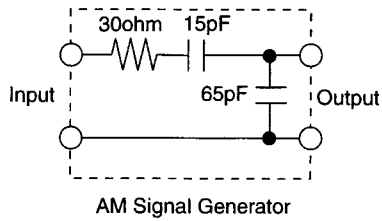
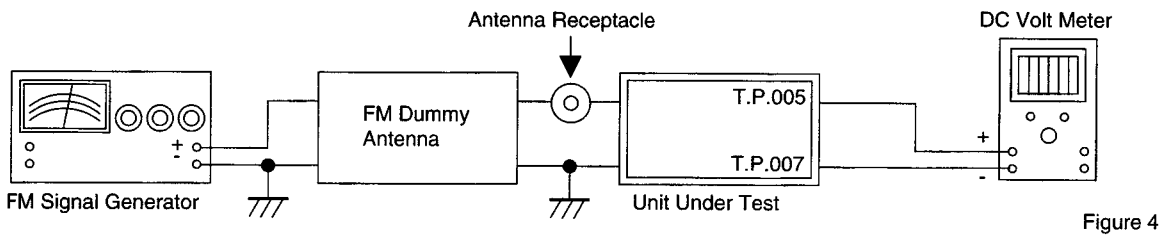
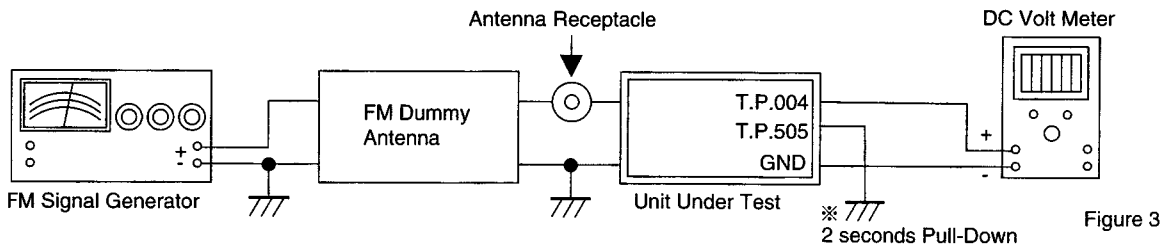


Figure 2

(2) Connections



(3) Control Settings

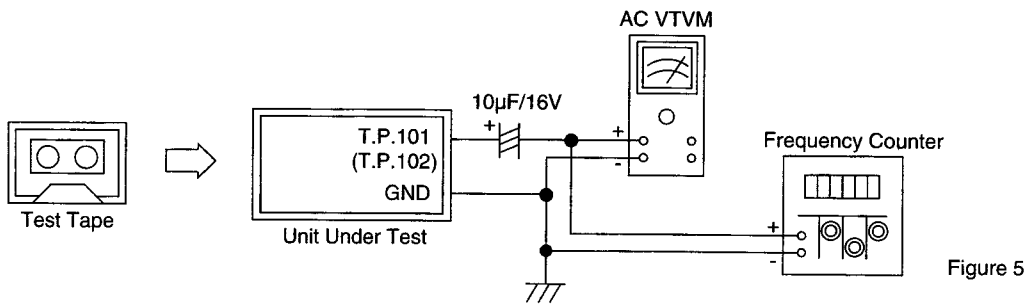
Power Switch ON	DOLBY Switch OFF
Fader Control Center Position	LOUD Switch (TDA-7570R Model Only) OFF
Balance Control Center Position	Others OFF
BBE Switch (TDA-7572R Model Only) OFF		

(4) Adjustment Procedures

Step	Description	Connection	Signal Generator	Dial Control	Test Point / P.W.Board Coordinates	Adjustment
1	Signal Meter Auto Adjustment	Figure 3	98.1MHz, 51B μ (Mod. OFF)	98.1MHz	T.P.004 (1-C) T.P.505 (1-D)	Auto Adjustment : After setting up of Signal Generator, short GND and T.P.505 (Pull-Down) for 2 seconds. Confirm T.P.004 output voltage is $3\pm 0.2V$.
2	IF Adjustment	Figure 4	98.1MHz, 72dB μ (Mod. 400Hz, Dev. 40kHz)	98.1MHz	T.P.005 (1-C) T.P.007 (1-C)	Adjust L2009 to $0\pm 100mV$.
3	AM Seek Stop Auto Adjustment	Figure 3	999kHz, 34dB μ (Mod. OFF)	999kHz	T.P.004 (1-C) T.P.505 (1-D)	Auto Adjustment : After setting up of Signal Generator, short GND and T.P.505 (Pull-Down) for 2 seconds. Confirm T.P.004 output voltage is $1.8\pm 0.3V$.

2. TAPE PLAYER SECTION

(1) Connection



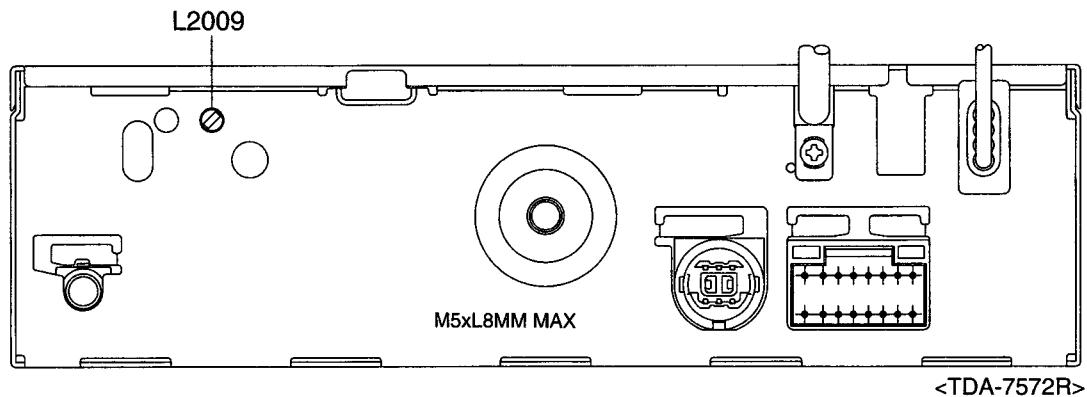
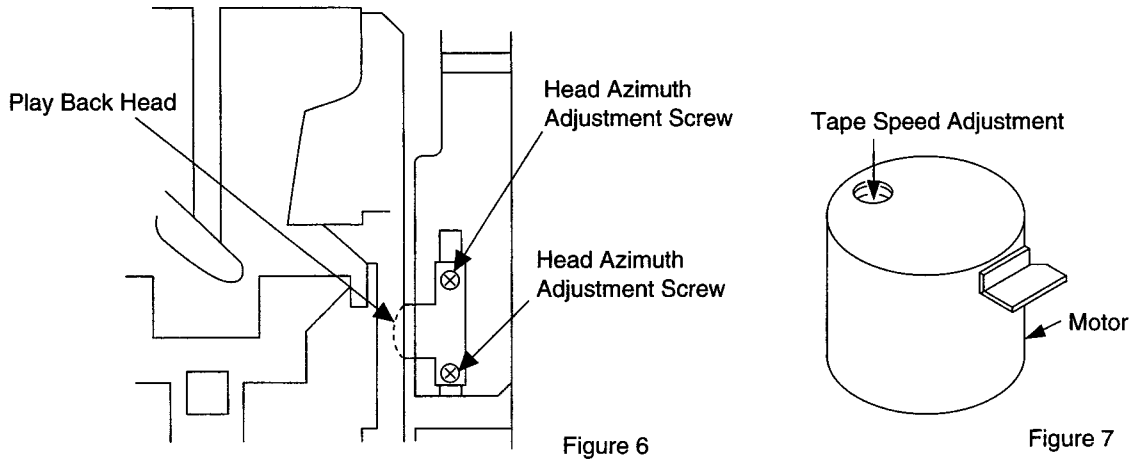
(2) Control Settings

Power Switch ON DOLBY Switch OFF
 Fader Control Center Position LOUD Switch (TDA-7570R Model Only) OFF
 Balance Control Center Position Others OFF
 BBE Switch (TDA-7572R Model Only) OFF

(3) Adjustment Procedures

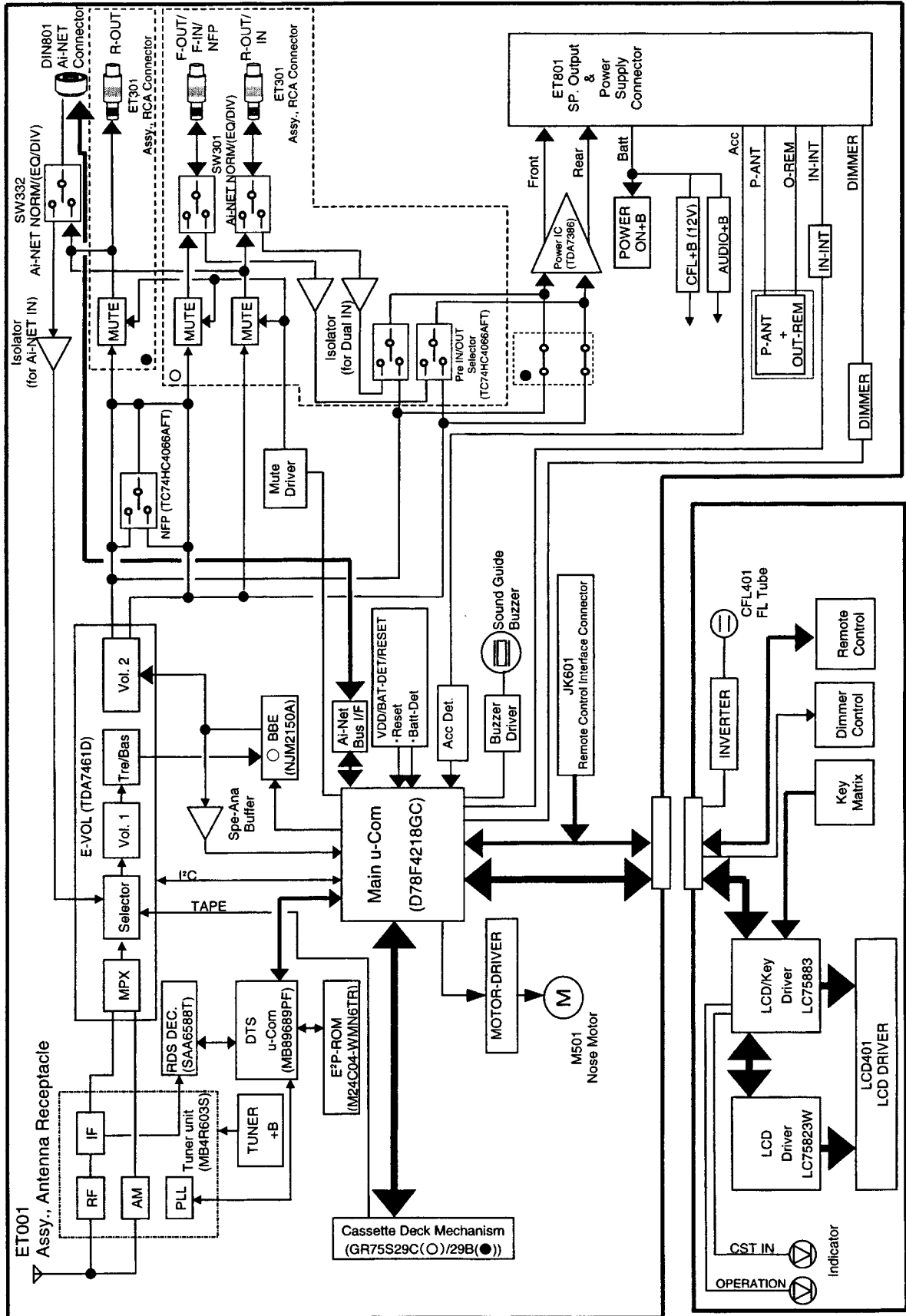
Step	Description	Test Tape	Connection	Test Point / P.W.Board Coordinates	Adjustment Point	Adjustment
1	Head Azimuth Adjustment	MTT-114NB (14kHz)	Figure 5	T.P.101 (Lch) (4-B) T.P.102 (Rch) (4-B)	Head Azimuth Adjustment Screws (Figure 6)	Adjust for Max. and same level output at Forward and Reverse positions.
2	Dolby Level Adjustment	MTT-150 (400Hz)	Figure 5	T.P.101 (Lch) (4-B) T.P.102 (Rch) (4-B)	VR1101 (Lch) VR1102 (Rch)	Adjust for 388mV \pm 0.5dB at T.P.101 (Lch) and T.P.102 (Rch).
3	Tape Speed Adjustment	MTT-111N (3kHz)	Figure 5	T.P.101 (Lch) (4-B) or T.P.102 (Rch) (4-B)	Tape Speed Adjustment (Figure 7)	Adjust for 2,970 to 3,090Hz at T.P.101 (T.P.102).

Adjustment Locations



NOTE : For the Adjustment parts (VR1101, VR1102) and Test Points, refer to the Parts Layout on P.W.Boards and Wiring Diagram.

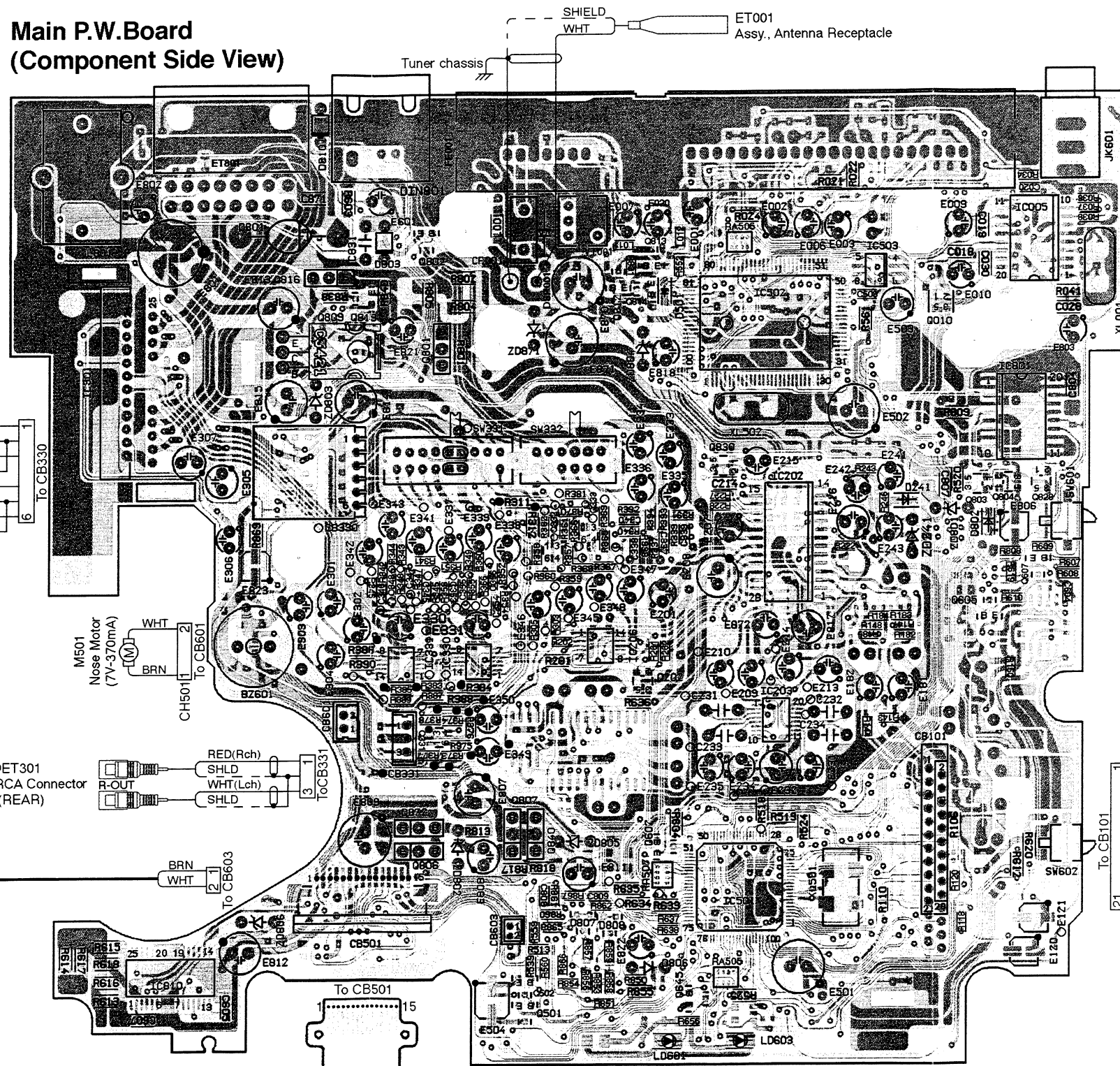
Block Diagram



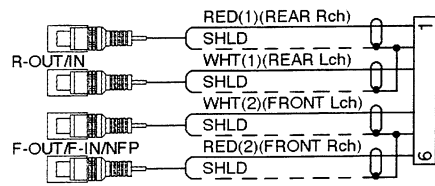
Parts Layout on P.W. Boards and Wiring Diagram (1/4)

1
2
3
4
5

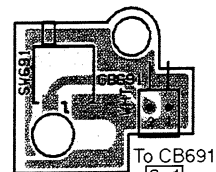
**Main P.W. Board
(Component Side View)**



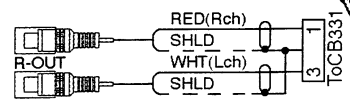
OET301
Assy., RCA Connector
(NFP/Front/REAR)



**DOOR P.W. Board
(Component Side View)**



ET301
Assy., RCA Connector
(REAR)



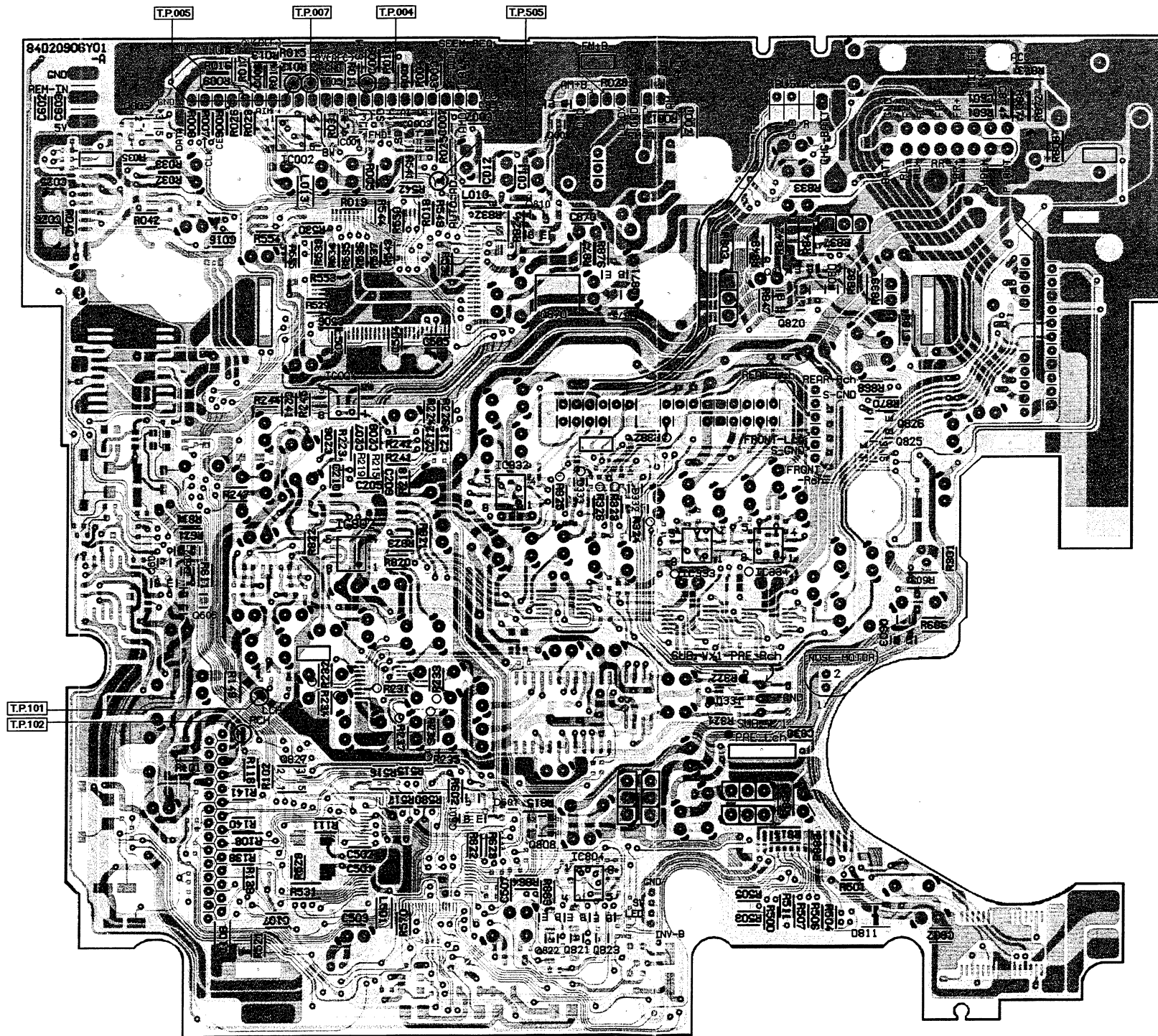
NOTE : ○ : TDA-7572R Model Only,
● : TDA-7570R Model Only,
Others : Common.

Gray Color Pattern : Component Side Pattern
Blue Color Pattern : Foil Side Pattern

A | B - 11 - | C | D | E | F - 12 - | G

Parts Layout on P.W. Boards and Wiring Diagram (2/4)

Main P.W.Board (Foil Side View)



NOTE : ○ : TDA-7572R Model Only,
● : TDA-7570R Model Only,
Others : Common.

Gray Color Pattern : Component Side Pattern
Blue Color Pattern : Foil Side Pattern

1
2
3
4
5

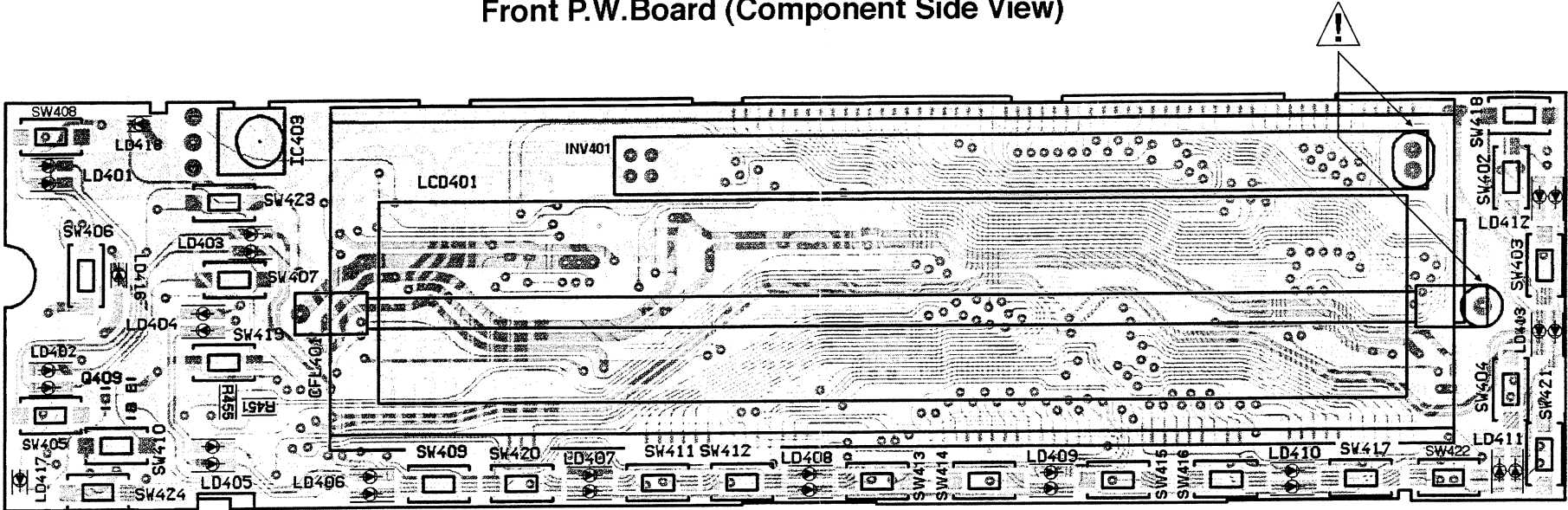
A | B - 13 - | C | D | E | F - 14 - | G |

Parts Layout on P.W. Boards and Wiring Diagram (3/4)

1

Caution : The part marked with  is generating a high voltage, so care will be necessary when working.

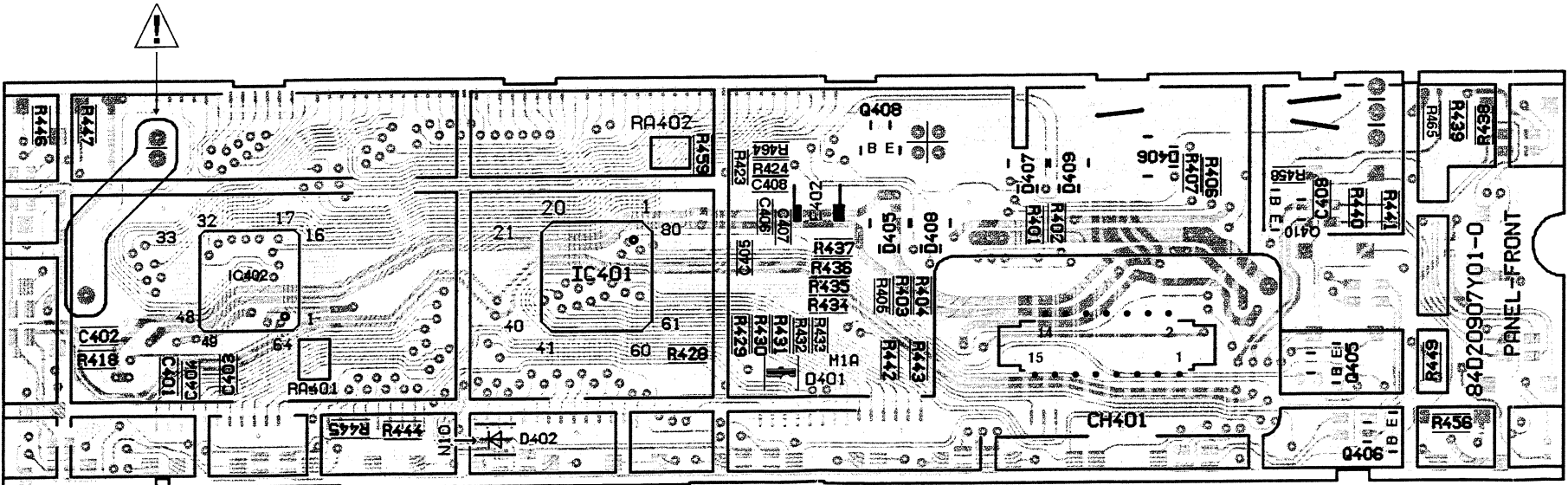
Front P.W.Board (Component Side View)



2

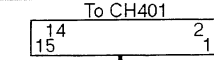
3

Front P.W.Board (Foil Side View)



4

5



To Assy. Unizon Connector (CB401)

Gray Color Pattern : Component Side Pattern
 Blue Color Pattern : Foil Side Pattern

A

I

B - 15 -

C

I

D

I

E

I

F - 16 -

I

G

I

Schematic Diagram (1/7)

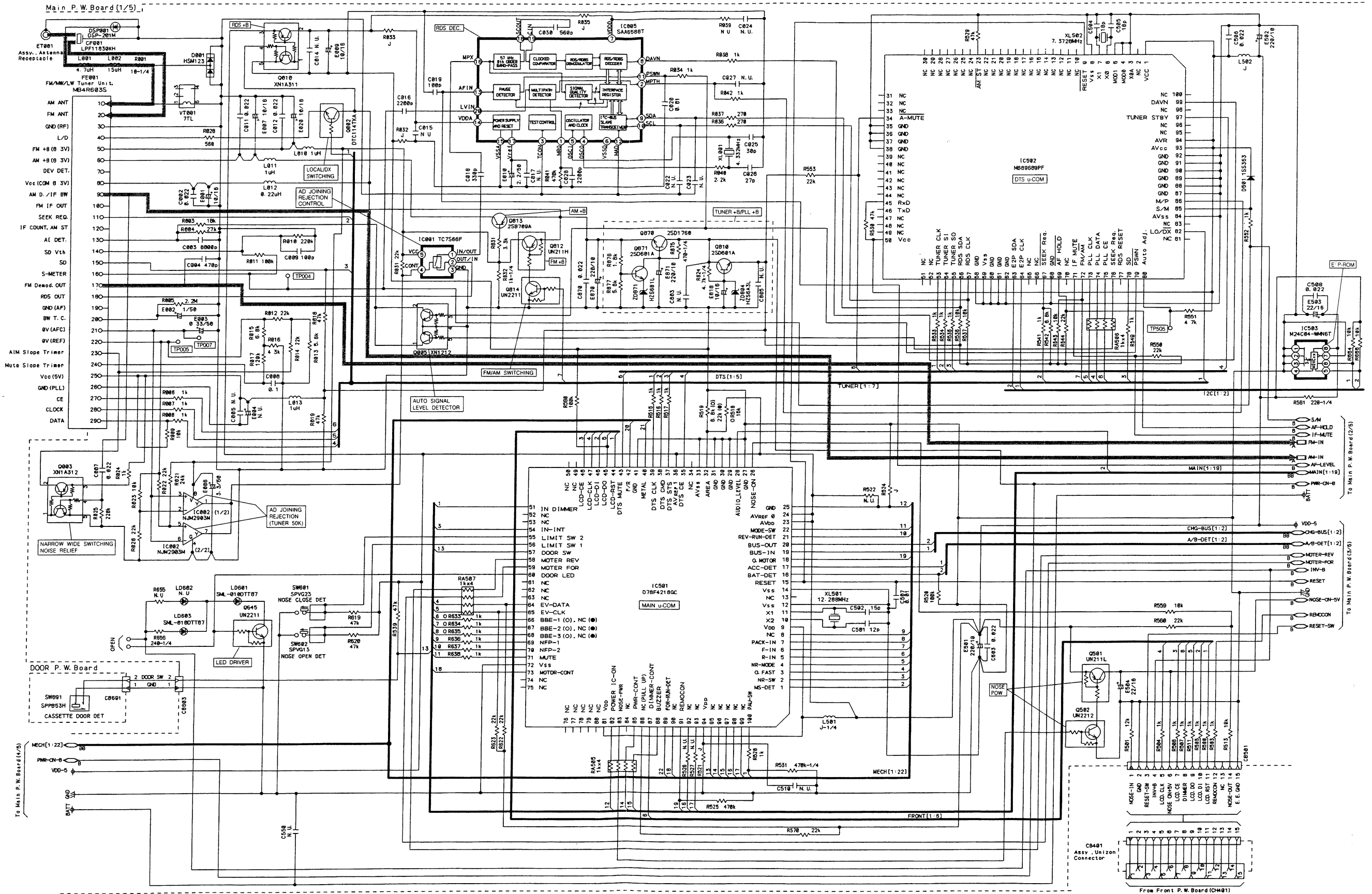
1

2

3

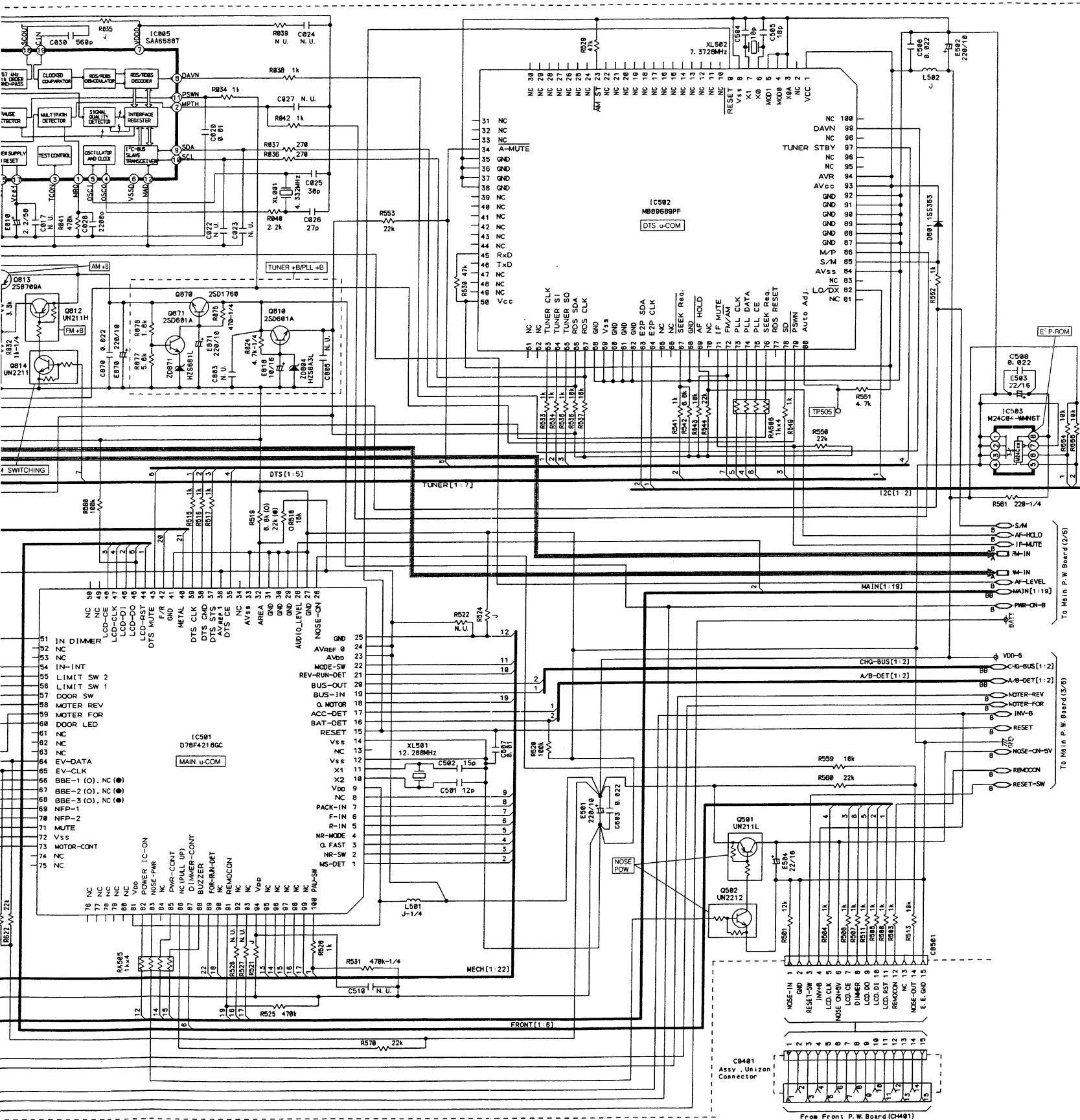
4

5



NOTE: N. U. is Not Used Parts.

A | B - 19 - | C | D | E | F - 20 - | G | H



NOTE: N. U. is Not Used Parts.

IC001

1	5V/0V	POWER ON/OFF
2-5	0V	

IC002

1	8.3V/0V	POWER ON/OFF
2	3.6V/0V	
3	4.5V/0V	
4	0V	
5	6.5V/0V	
7,8	8.3V/0V	

IC005

1-7	0V	POWER ON
8	4.9V	
9-13	0V	
14	4.9V	
15-20	0V	

IC501

1	0V/5V	PACK IN/OUT	51	5V/0V	DIMMER OFF/ON
2-6	0V		52,53	NC	
7	5V/0V	PACK IN/OUT	54-60	5V/0V	IN-INT ON/OFF
8	NC		61-63	NC	
9	5V		64,65	5V	
10,11	PS		66	○ 5V	
12	0V		67	○ 0V	
13	NC		67	● NC	
14	0V		68	○ 5V	
15	0V/5V	RESET ON/OFF	68	● NC	
16,17	5V				
18-20	PS		69	5V	
21,22	5V/0V	DISK DET/ Others	70-72	0V	
23-25	5V		73	5V	
26	2.5V		74-76	0V	
27	0V		77-80	NC	
28	PS		81	5V	
29-31	0V		82,83	5V/0V	Power ON/OFF
32	5V		84	NC	
33	0V		85	5V/0V	Power ON/OFF
34	NC		86	5V	
35	PS		87	5V/PS	DIMMER OFF/ON
36	5V		88	PS	
37-39	PS		89	0V/5V	DISC EJECT/ Others
40	0V/5V	TUNER/ CD	90	0V/5V	Power ON/OFF
41	0V		91	PS	
42	PS		92,93	NC	
43	5V/0V	MODE CHANGE (TUNER)/ Others	94	0V	
44	5V/0V	DISPLAY SWITCHING/ Others	95-99	NC	
45-48	PS		100	-	
49,50	NC				

IC502

1	5V	69	5V/0V	POWER ON/OFF
2	NC	70	NC	
3-5	0V	71,72	5V/0V	POWER ON/OFF
6,7	PS	73-75	PS	
8	0V	76	5V/0V	POWER ON/OFF
9	5V/0V	77	NC	
10-22	NC	78,79	5V/0V	POWER ON/OFF
23	0V	80	5V	
24-33	NC	81	NC	
34	5V/0V	82	5V/0V	POWER ON/OFF
35-38	0V	83	NC	
39-44	NC	84	0V	
45,46	PS	85	SIGNAL	
47-49	NC	86	5V/0V	POWER ON/OFF
50	5V	87-92	0V	
51,52	NC	93,94	5V	
53-57	PS	95,96	NC	
58-62	0V	97	5V/0V	POWER ON/OFF
63,64	PS	98	NC	
65,66	NC	99	5V/0V	POWER ON/OFF
67	5V/0V	100	NC	
68	0V			

IC503

1-4	0V
5,6	5V
7	0V
8	5V

	E	C	B	MODE
Q002	0V	8.4V	0V	LO → DX
Q501	5V/5V	5V/0V	0V/5V	NOISE ON/OFF
Q502	0V	5V/0V	5V/0V	NOISE ON/OFF
Q645	0V	5.7V	5V	Close
Q610	5V/0V	12.6V/0V	5.6V/0V	POWER ON/OFF
Q612	8.4V/8.4V	8.3V/0V	0V/8.4V	FM/AM
Q613	8.4V/8.4V	0V/8.2V	8.3V/7.6V	FM/AM
Q614	0V	0V/8.4V	2.8V/0V	FM/AM
Q670	8.4V/0V	12.6V/0V	9V/0V	POWER ON/OFF
Q671	5.7V/0V	9V/0V	6.3V/0V	POWER ON/OFF

	1	2	3	4	5	MODE
Q003	NC	0V	5V	0V	0V	POWER ON
Q005	0V	0V	0V	0V	5V	SEEK ON
Q010	NC	5V/0V	5V/5V	8.4V/0V	0V	POWER ON/OFF

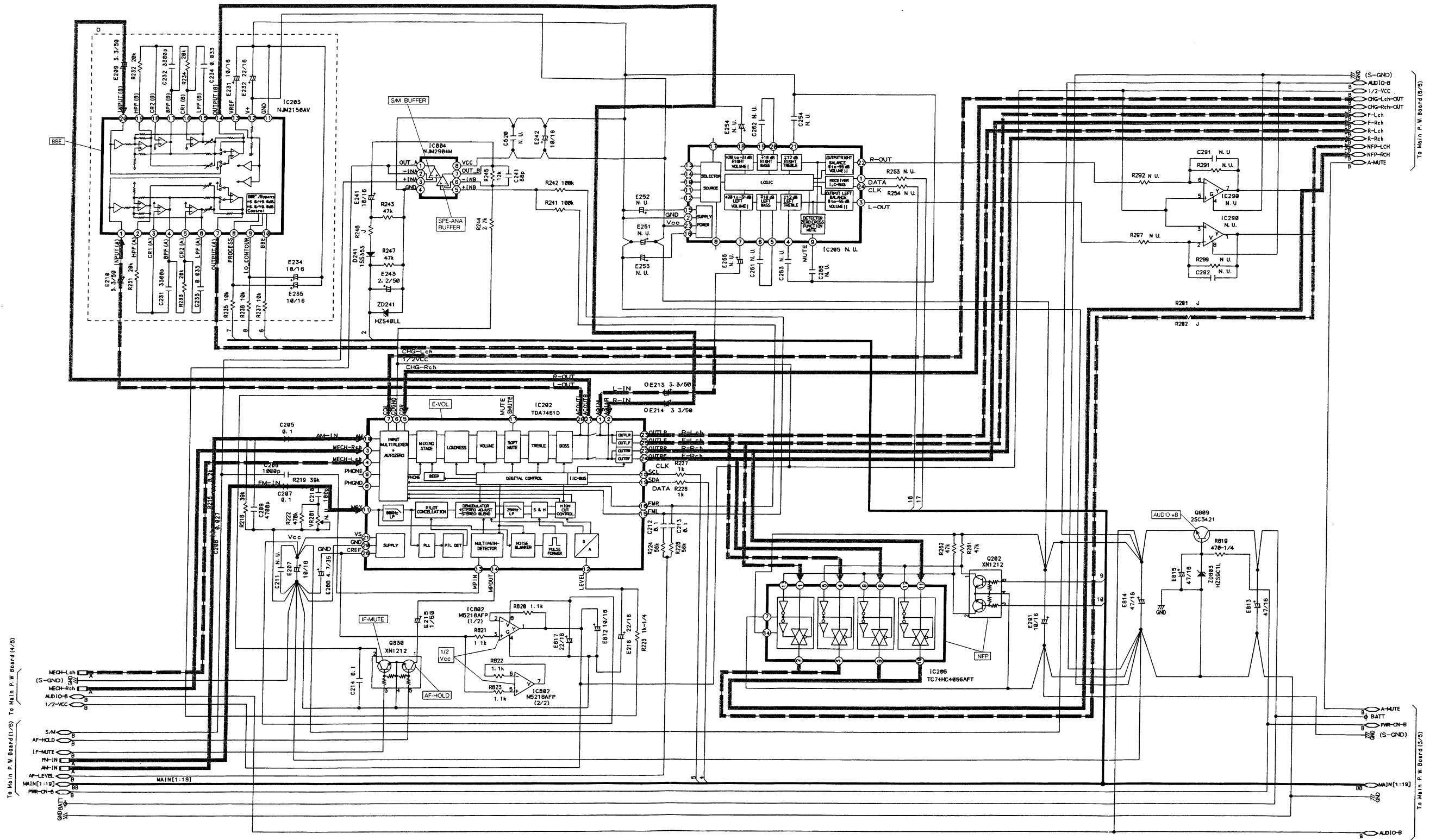
- <Measuring Conditions>
- Power Supply Voltage : DC14.4V
 - Measuring Meter : Digital Multi Meter
 - Measuring Point Reference : Between Ground
 - Measuring Conditions : No Signal Input
FM : 98.1MHz
AM : 999kHz (MW)
TAPE: Blank Tape Play

NOTE: ○ : For TDA-7572R Model Only,
● : For TDA-7570R Model Only,
Others : Common.

NOTE:
1. All resistance values are in ohms. K = 1,000
2. All capacitance values are in microfarads. P = $\frac{1}{1,000,000}$

Schematic Diagram (2/7)

Main P. W. Board (2/5)



NOTE: N. U. is Not Used Parts.

A

B - 22 -

C

D

E

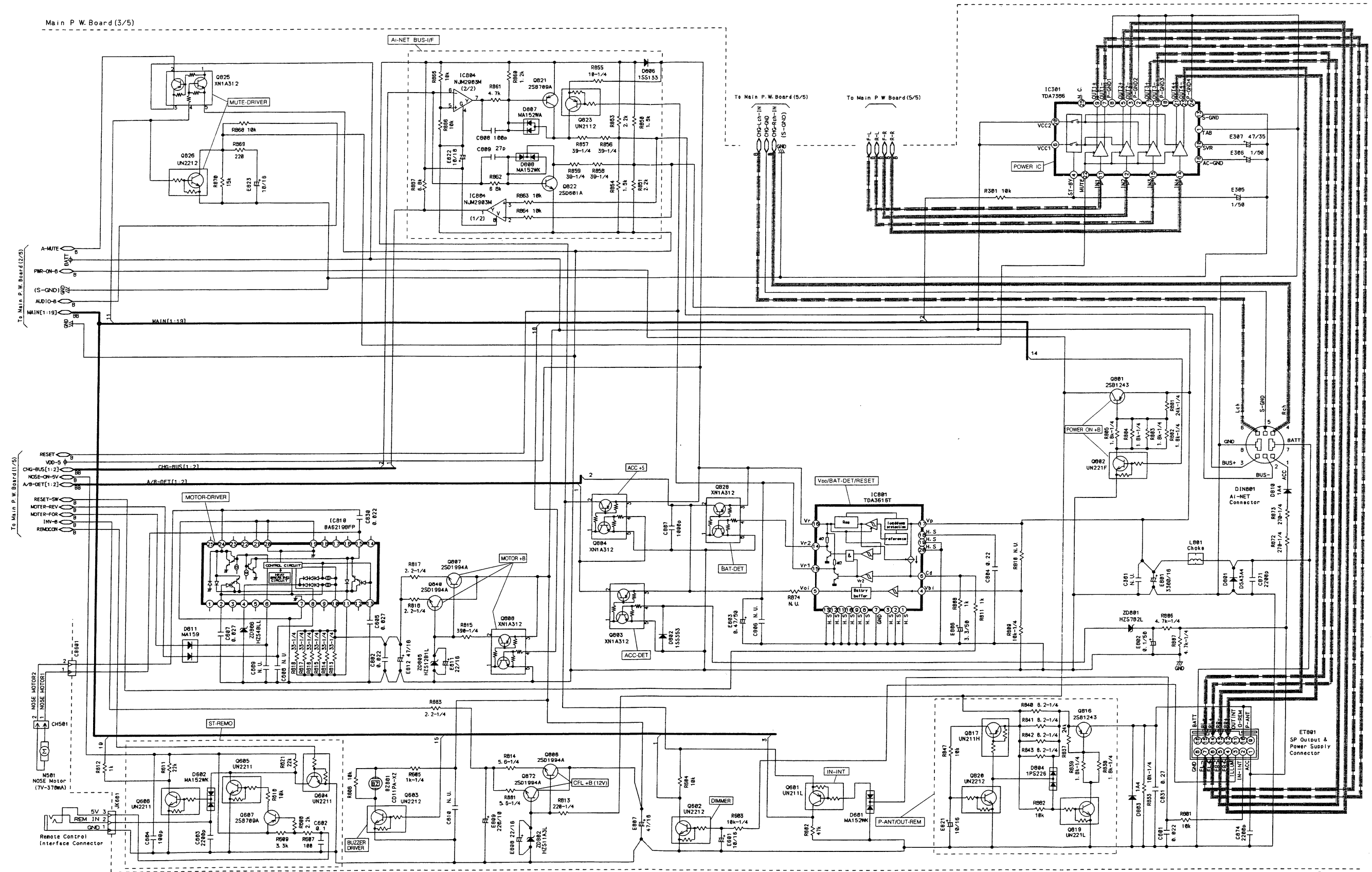
- 23 - F

G

H

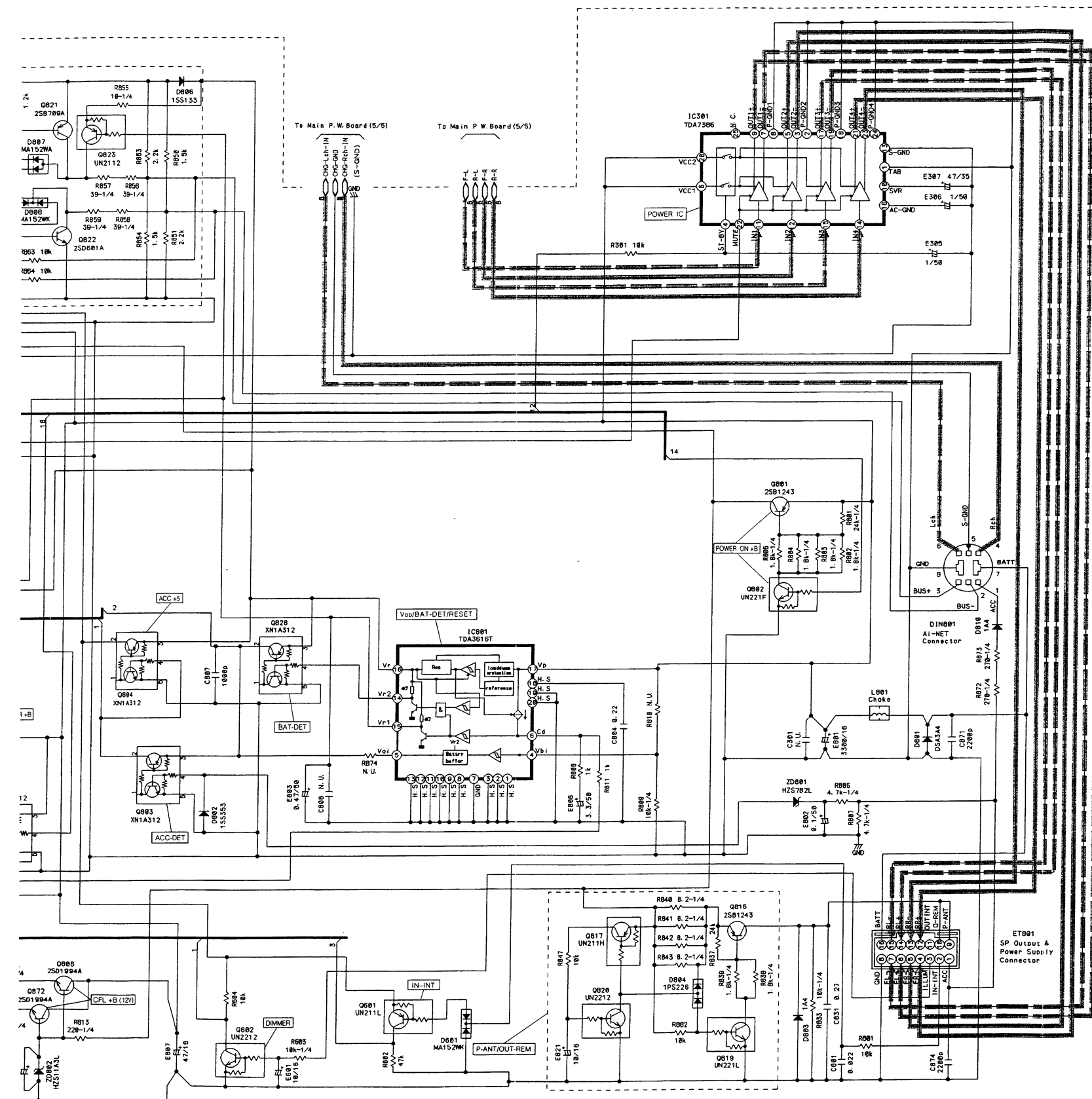
Schematic Diagram (3/7)

1
2
3
4
5



NOTE: N. U. is Not Used Parts.

A | B - 25 - | C | D | E | F - 26 - | G | H



NOTE: N. U. is Not Used Parts.

IC301				IC801			
1,2	0V	14-17	5.8V	1-5	0V	POWER ON/OFF	
3	5.8V	18	0V	6	5V/5V		
4	5V	19	5.8V	7-13	0V		
5	5.8V	20	11.5V	14	4.4V/4.4V		
6	11.5V	21	5.8V	15,16	5V/5V		
7	5.8V	22	5.2V	17	12.6V/12.6V		
8	0V	23	5.8V	18	12.3V/12.7V		
9	5.8V	24	0V	19,20	0V		
10-12	5.7V	25	NC				
13	0V						

IC804		IC810				
1-5	0V	1	NC	9,10	0V	NORMAL/EJECT
6	7.4V/0V	2,3	0V	11	12V/12V	
7,8	5V/0V	4	0V/4V	12-14	0V	
		5	0V	15	0V/5V	
		6	0V/4V	16-23	0V	
		7	0V	24	0V/5V	
		8	0V/4V	25	0V	

	E	C	B	MODE		E	C	B	MODE
Q601	4.9V	0V/4.9V	4.9V/3V	INT → GND	Q816	11.9V/0V	12.5V/0V	12.6V/0V	POWER ON/OFF
Q602	0V	4.9V/0V	0V	DIMMER ON/OFF	Q817	12.6V/0V	12.6V/0V	0V	POWER ON/OFF
Q603	0V	14.34V	0V	BUZZER ON	Q819	0V	0V	2.87V	POWER ON
Q604	0V	0V	PS	POWER ON	Q820	0V	0V	8.9V/0V	POWER ON/OFF
Q605	0V	0V	0V	POWER ON	Q821	5V/5V	PS	5V/5V	POWER ON/OFF
Q606	0V	4.7V/0V	0V	NOISE ON/OFF	Q822	0V	PS	0V	POWER ON
Q607	5V/0V	0V	5V/0V	POWER ON/OFF	Q823	5V/5V	PS	5V/5V	POWER ON/OFF
Q801	11.9V/12.7V	12.6V/0V	12.6V/12.6V	POWER ON/OFF	Q826	0V	0V/5.2V	4.6V/0V	MUTE ON/OFF
Q802	0V/13.1V	0V/13.1V	5V/0V	POWER ON/OFF	Q840	12.6V	12.6V	12.1V	POWER ON
Q806	10.4V/0V	12.6V/12.8V	9.7V/0V	POWER ON/OFF	Q872	10.3V/0V	12.6V/12.8V	9.7V/0V	POWER ON/OFF
Q807	12.6V	12.6V	12.1V	POWER ON					

	1	2	3	4	5	MODE
Q803	NC	5V/0V	5V/5V	4V/0V	0V	ACC ON/OFF
Q804	NC	5V/0V	5V/5V	5V/0V	0V	ACC ON/OFF
Q808	NC	12.6V/12.7V	12.6V/12.7V	5V/5V	0V	POWER ON/OFF
Q825	NC	12.4V/0V	12.6V/12.6V	4.6V/0V	0V	MUTE ON/OFF
Q828	NC	5V/5V	5V/5V	4.4V/4.4V	0V	POWER ON/OFF

- <Measuring Conditions>
- 1. Power Supply Voltage : DC14.4V
 - 2. Measuring Meter : Digital Multi Meter
 - 3. Measuring Point Reference : Between Ground
 - 4. Measuring Conditions : No Signal Input
- FM : 98.1MHz
AM : 999kHz (MW)
TAPE : Blank Tape Play

NOTE:
1. All resistance values are in ohms. K = 1,000
2. All capacitance values are in microfarads. P = $\frac{1}{1,000,000}$

Schematic Diagram (4/7)

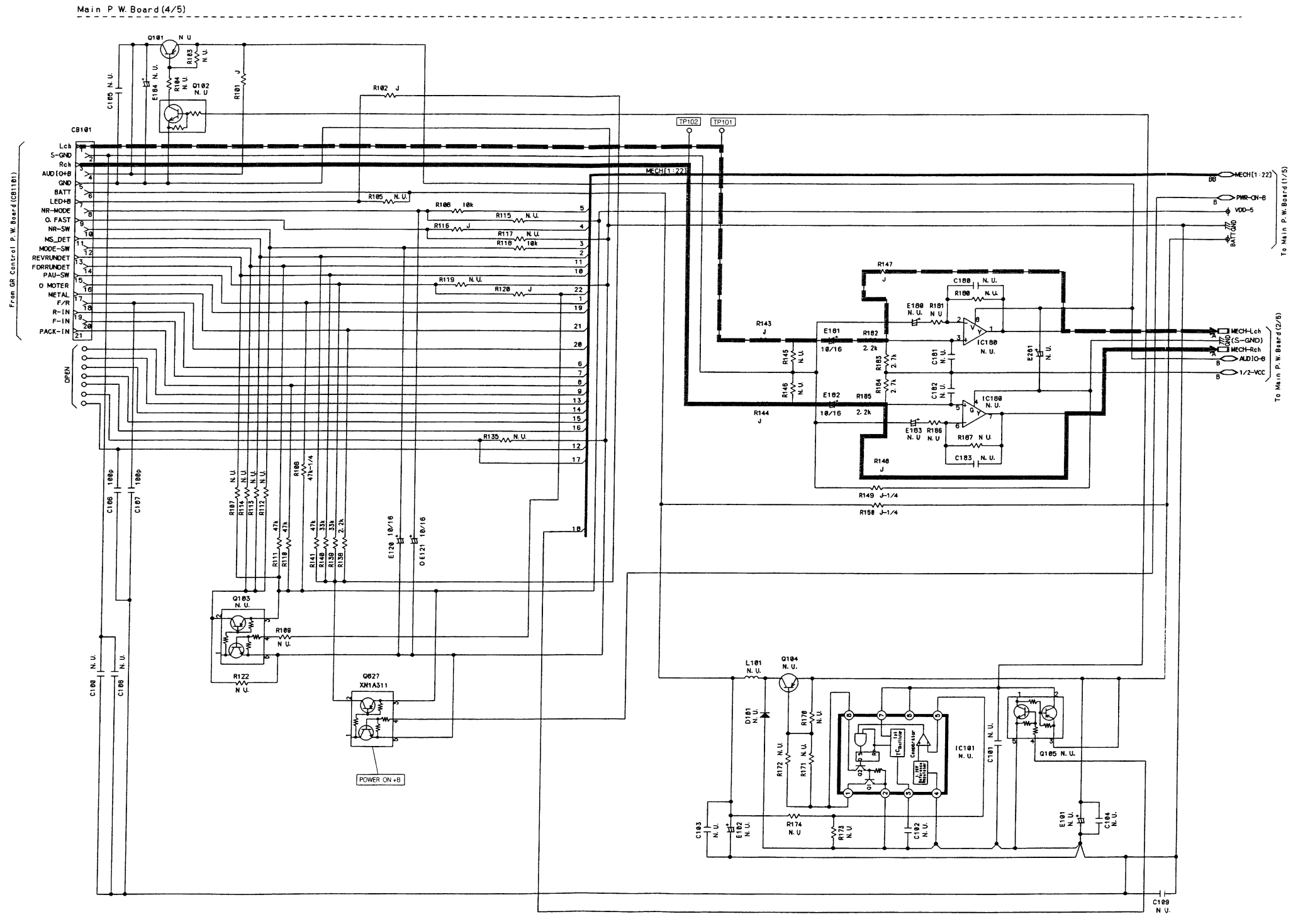
1

2

3

4

5



NOTE: N. U. is Not Used Parts.

A

B - 28 -

C

D

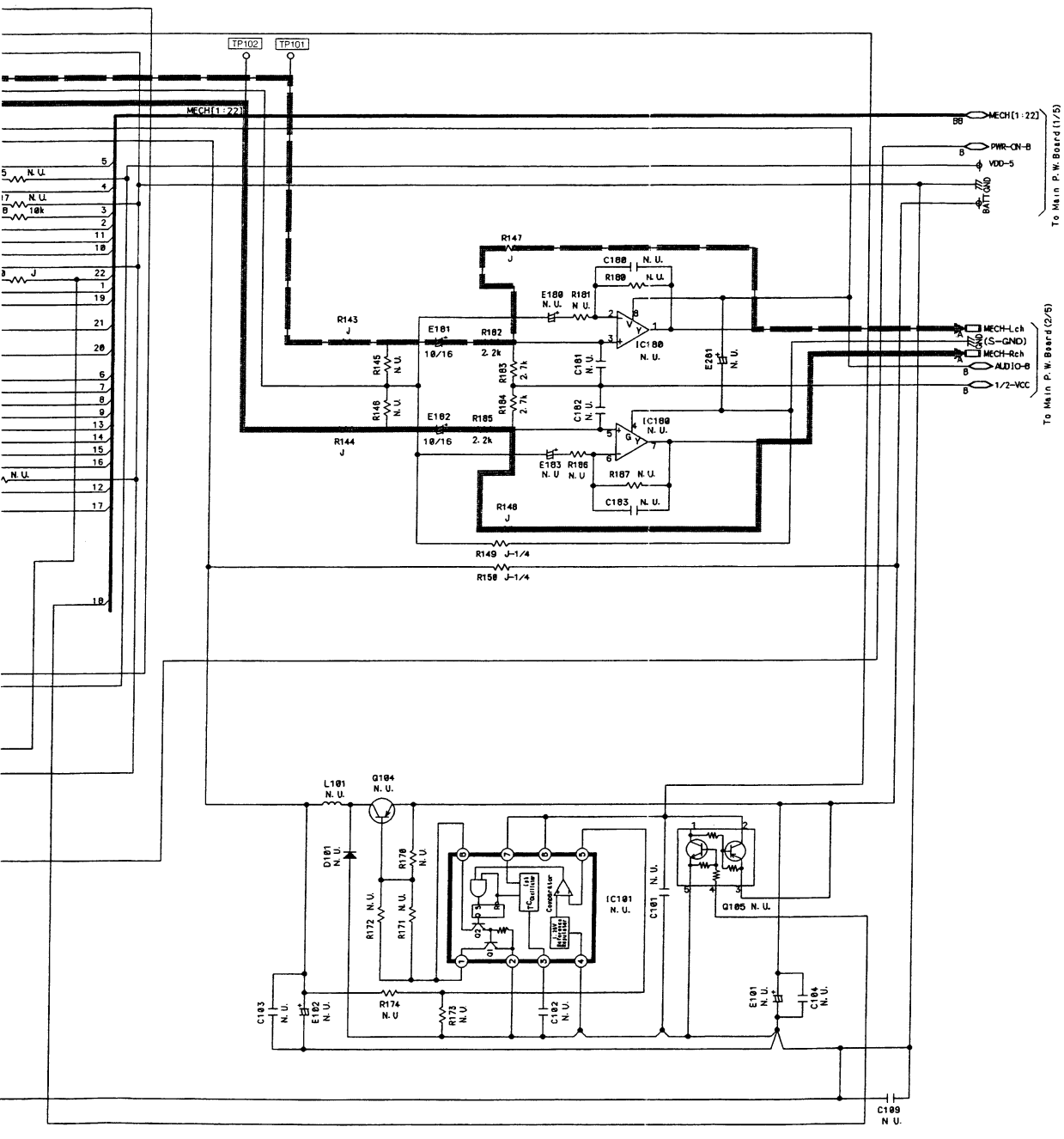
E

- 29 - F

G

H

I



	1	2	3	4	5	MODE
QR27	0V/5V	4.8V/0V	5V/5V	13.6V/0V	0V	POWER ON/OFF

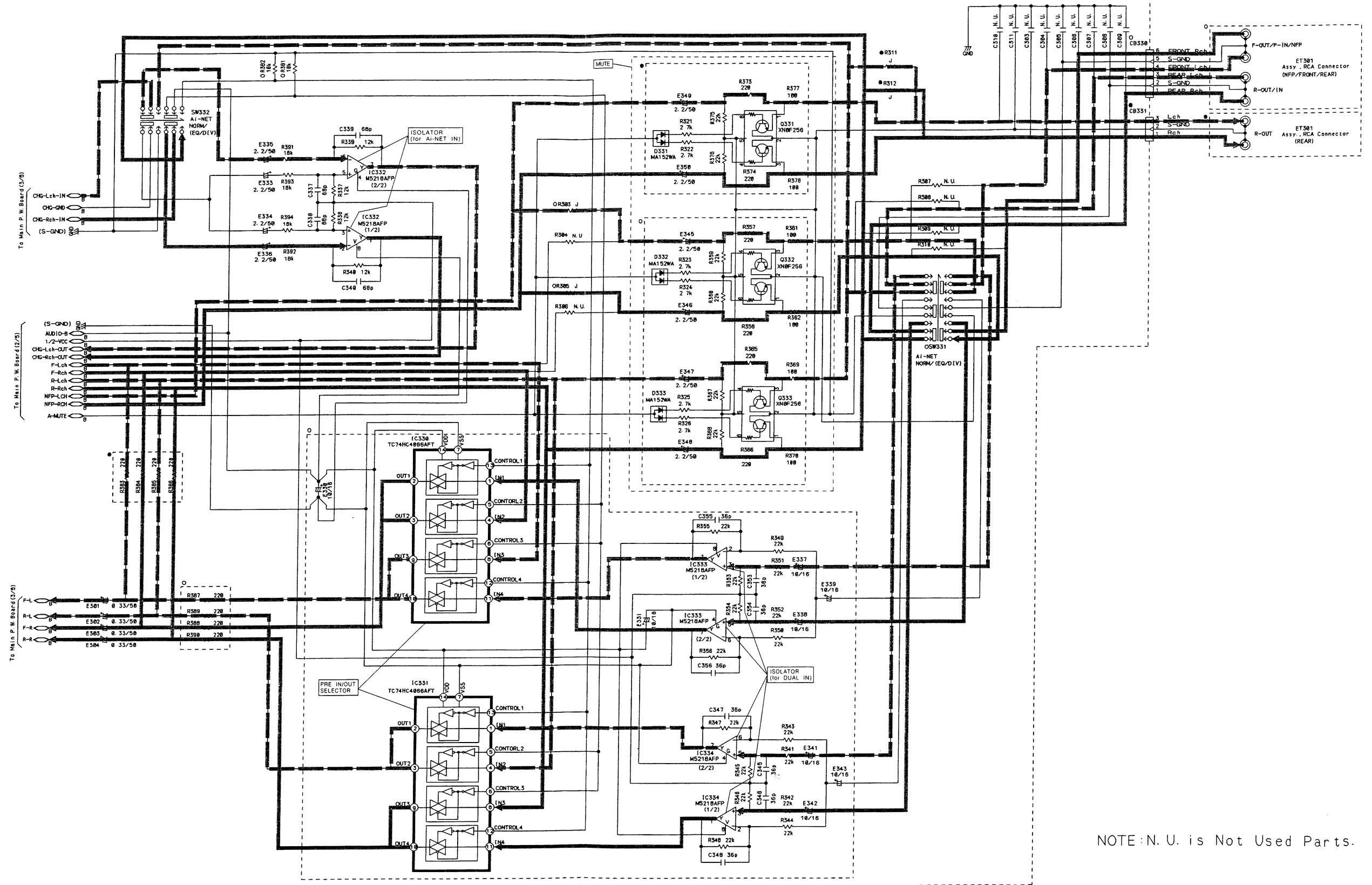
- <Measuring Conditions>
1. Power Supply Voltage : DC14.4V
 2. Measuring Meter : Digital Multi Meter
 3. Measuring Point Reference : Between Ground
 4. Measuring Conditions : No Signal Input
FM : 98.1MHz
AM : 999kHz (MW)
TAPE: Blank Tape Play

NOTE: N. U. is Not Used Parts.

NOTE:
1. All resistance values are in ohms. $K = 1,000$
2. All capacitance values are in microfarads. $P = \frac{1}{1,000,000}$

Schematic Diagram (5/7)

Main P.W. Board (5/5)



NOTE: N. U. is Not Used Parts.

1

2

3

4

5

A

B - 31 -

C

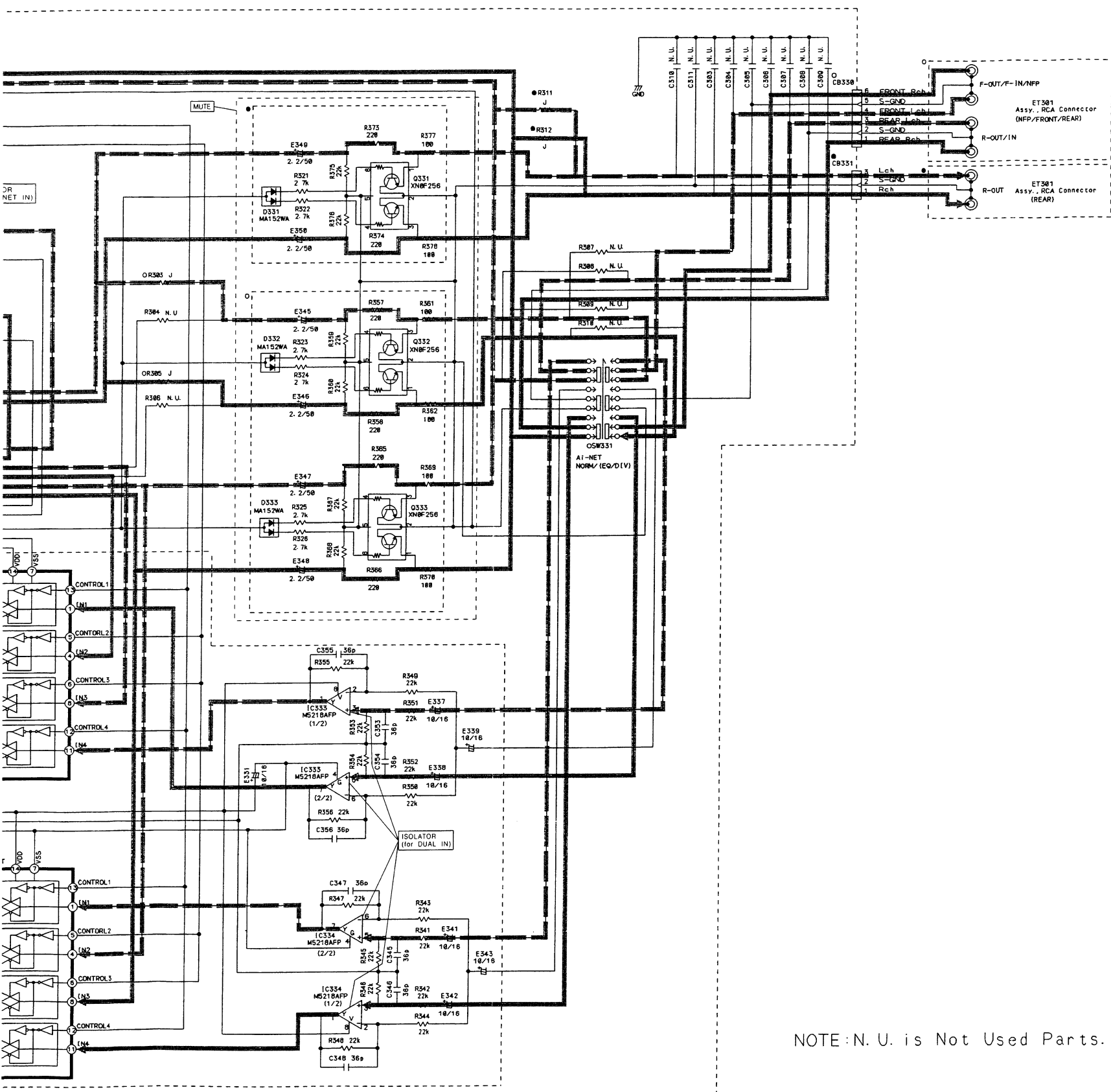
D

E

F - 32 -

G

H



NOTE: N. U. is Not Used Parts.

O IC330, 331		IC332		O IC333, 334	
1	4.4V/0V	1-3	4.4V/0V	1-3	4.4V/0V
2-4	3.7V/0V	4	0V	4	0V
5, 6	8.8V/0V	5-7	4.4V/0V	5-7	4.4V/0V
7, 8	0V	8	8.7V/0V	8	8.8V/0V
9, 10	3.7V/0V				
11	4.4V/0V				
12, 13	0V				
14	8.8V/0V				

	1	2	3	4	5	6	MODE
● Q331	PS	0V	PS	10V/0V	0V	10V/0V	MUTE ON/OFF
○ Q332	PS	0V	PS	10V/0V	0V	10V/0V	MUTE ON/OFF
○ Q333	PS	0V	PS	10V/0V	0V	10V/0V	MUTE ON/OFF

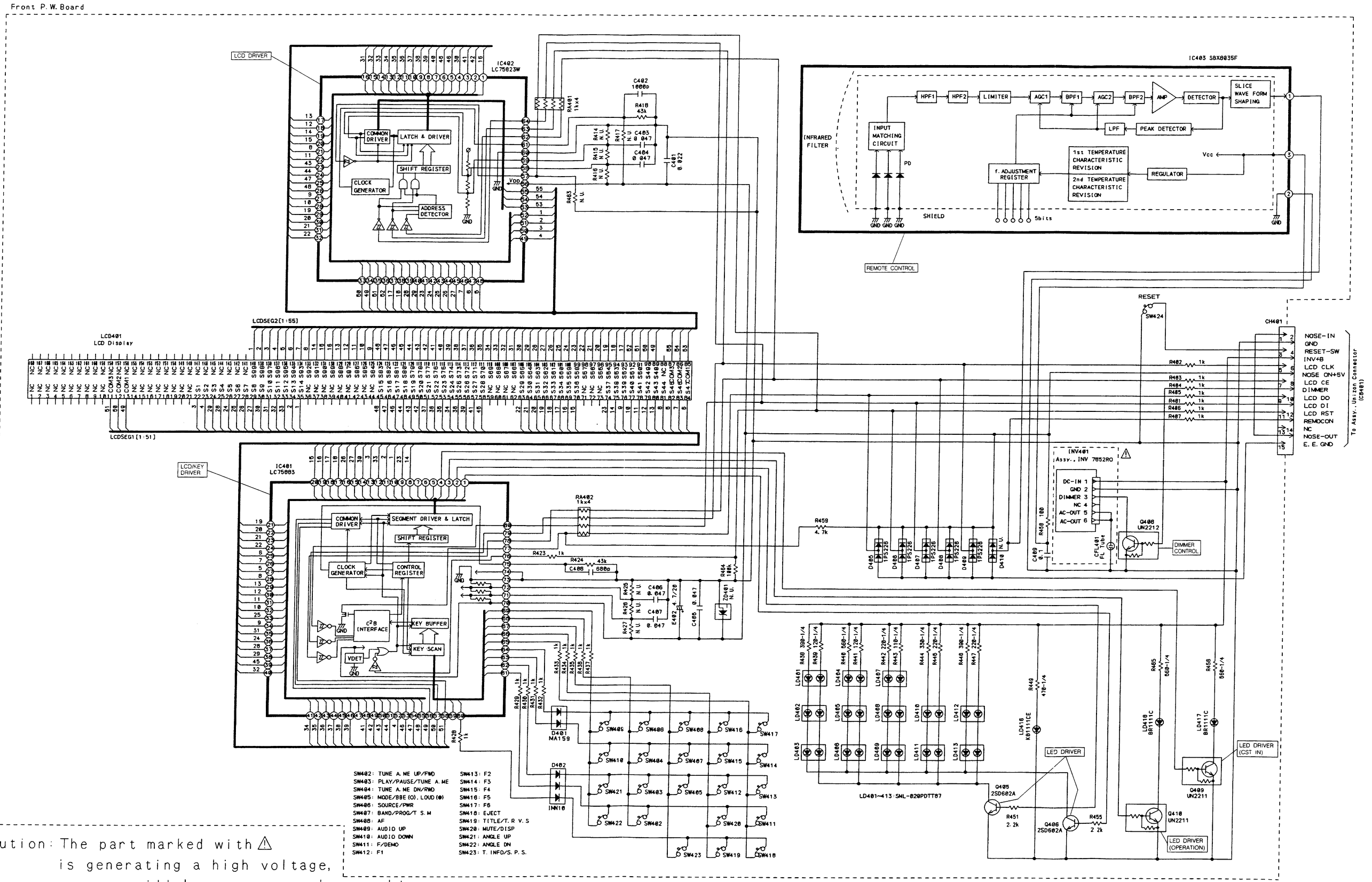
- <Measuring Conditions>
1. Power Supply Voltage : DC14.4V
 2. Measuring Meter : Digital Multi Meter
 3. Measuring Point Reference : Between Ground
 4. Measuring Conditions : No Signal Input
FM : 98.1MHz
AM : 999kHz (MW)
TAPE: Blank Tape Play

NOTE: ○ : For TDA-7572R Model Only,
● : For TDA-7570R Model Only,
Others : Common.

NOTE:
1. All resistance values are in ohms. K = 1,000
2. All capacitance values are in microfarads. P = $\frac{1}{1,000,000}$

Schematic Diagram (6/7)

1
2
3
4
5



Caution: The part marked with \triangle is generating a high voltage, so care will be necessary when working.

NOTE: N. U. is Not Used Parts.

Schematic Diagram (7/7)

1

2

3

4

5

A

|

B -37-

|

C

|

D

|

E

|

F -38-

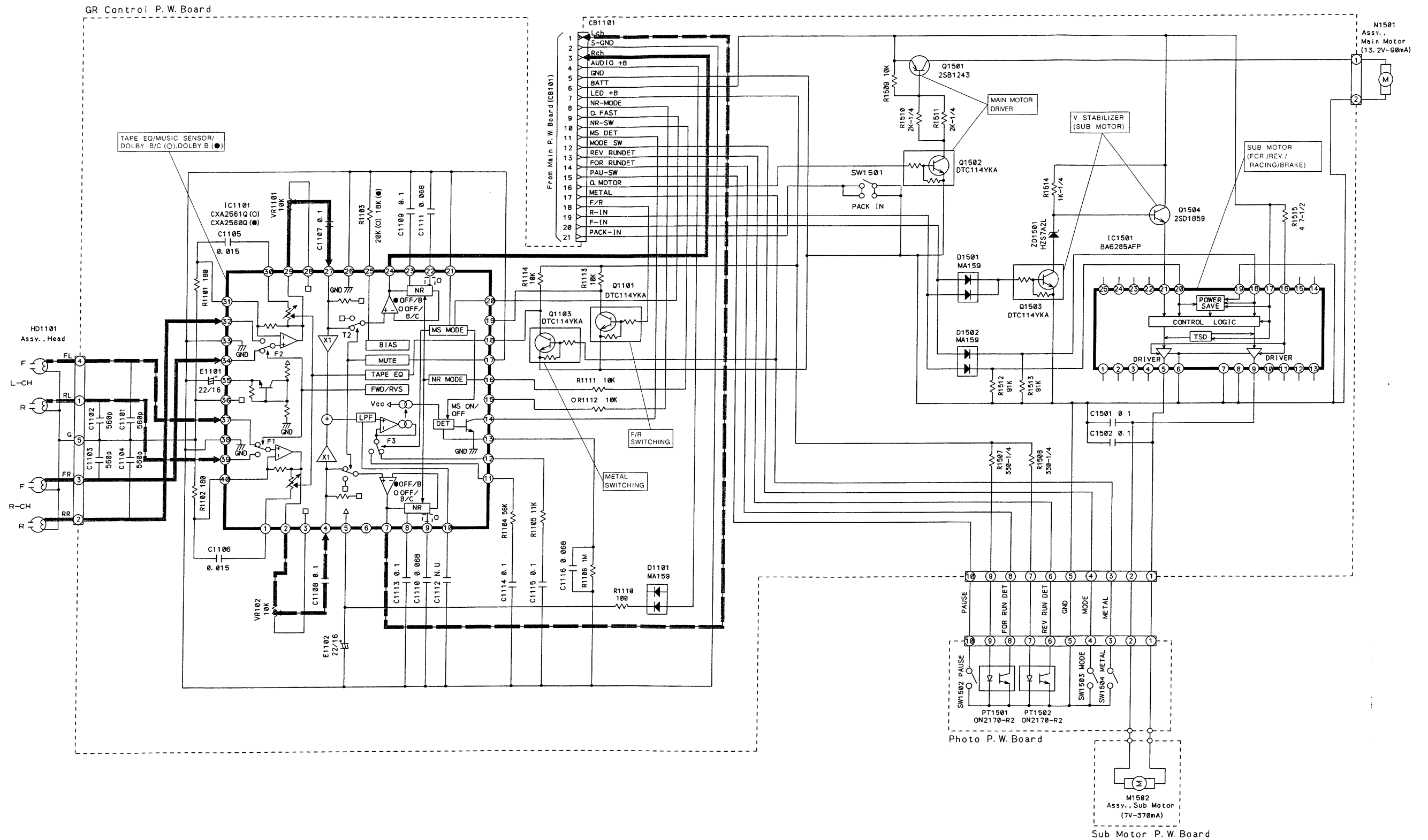
|

G

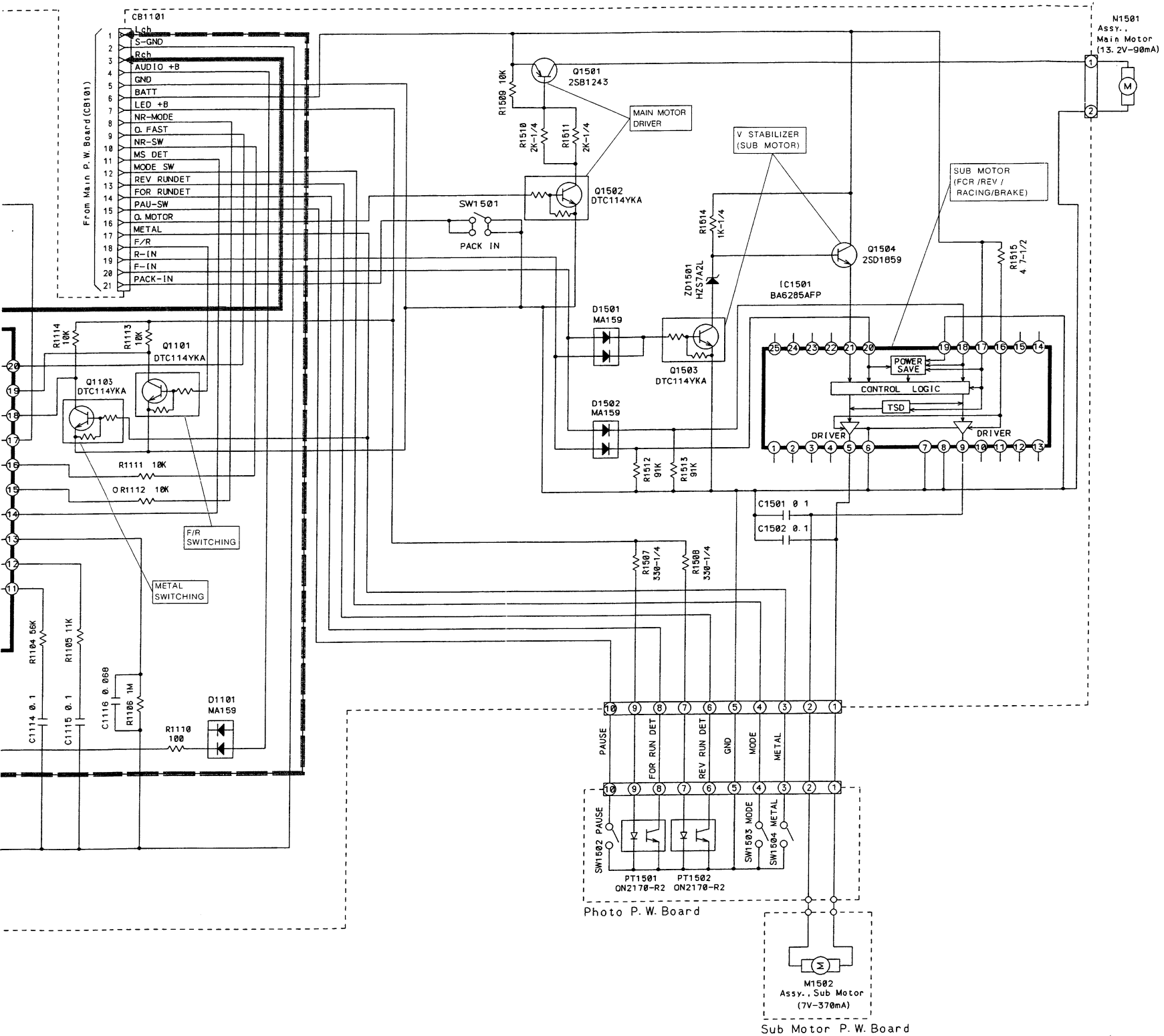
|

H

|



NOTE: N. U. is Not Used Parts.



IC1101

1	5.5V	22, 23	0.6V
2	5.4V	24	5.4V
3	5.5V	25	1.2V
4	4.5V	26	0V
5	11V	27, 28	5.5V
6	NC	29	5.8V
7	5.4V	30	5.6V
8, 9	0.6V	31, 32	5.5V
10	NC	33	0V
11, 12	5.4V	34	5.4V
13	0.3V	35-37	5.5V
14	4.4V	38	0V
15-21	0V	39, 40	5.5V

IC1501

1-4	NC	18	0.1V
5	0.7V	19	0.2V
6	0V	20	0.1V
7-9	0.7V	21	12.6V
10-15	NC	22-25	NC
16, 17	13.2V		

	E	C	B
Q1101	0V	0V	5.2V
Q1103	0V	0V	4.1V
Q1501	13.2V	13.2V	12.5V
Q1502	0V	0V	5.2V
Q1503	6.6V	0V	0.3V
Q1504	12.7V	13.2V	13.2V

<Measuring Conditions>

1. Power Supply Voltage : DC13.2V
2. Measuring Meter : Digital Multi Voltmeter
3. Measuring Point Reference : Between GND
4. Measuring Conditions : TAPE: For play, Normal position, Dolby OFF

NOTE: ○ : For TDA-7572R Model Only,
● : For TDA-7570R Model Only,
Others : Common.

NOTE: N. U. is Not Used Parts.

NOTE:

1. All resistance values are in ohms. K = 1,000
2. All capacitance values are in microfarads. P = $\frac{1}{1,000,000}$

Description of IC Terminal

D78F4218GC : IC501

No.	Symbol	I/O	Terminal Description
1	MS DET	I	Input terminal of MUSIC detection signal.
2	NR-SW	O	Output terminal of DOLBY ON/OFF control signal.
3	O. FAST	O	GAIN Control signal output terminal of M. SIC to CUE/ REV.
4	NR-MODE	O	Output terminal of DOLBY B/C switching signal.
5	R-IN	O	Output terminal of Sub motor rotate control signal.
6	F-IN		
7	PACK-IN	I	Input terminal of PACK IN detection signal.
8	NC	—	No connect terminal.
9	V _{DD}	—	Power supply terminal.
10	X2	—	Crystal connect terminal of System Clock (12.288MHz).
11	X1		
12	V _{SS}	—	GND terminal.
13	NC	—	No connect terminal.
14	V _{SS}	—	V _{SS} terminal.
15	RESET	I	Input terminal of System reset.
16	BAT-DET	I	Input terminal of BATT detection signal.
17	ACC-DET	I	Input terminal of ACC detection signal.
18	O. MOTOR	O	Output terminal of motor rotate control signal.
19	BUS-IN	I	Input terminal of Ai-NET BUS-DATA signal.
20	BUS-OUT	O	Output terminal of Ai-NET BUS-DATA signal.
21	REV-RUN-DET	I	Input terminal of REV REEL rotate detection signal.
22	MODE-SW	I	Input terminal of MODE detection signal.
23	AV _{DD}	—	Analog power terminal of A/D Converter.
24	AVREF0	—	Standard voltage input terminal of A/D Converter.
25	GND	—	GND terminal.
26	NOSE-ON	I	Input terminal of NOSE signal.
27	GND	—	GND terminal.
28	AUDIO LEVEL	I	Input terminal of AUDIO LEVEL.
29	GND	—	GND terminal.
30			
31			
32	AREA	I	Input terminal of AREA discriminate signal.
33	AV _{SS}	—	GND terminal of A/D Converter.
34	NC	—	No connect terminal.
35	DTS CE	O	Output terminal of Chip enable signal to DTS μ -COM.
36	AVREF1	—	Standard voltage input terminal of D/A Converter.
37	DTS STS	I	Input terminal of system status signal from DTS μ -COM.
38	DTS CMD	O	Output terminal of serial data signal to DTS μ -COM.
39	DTS CLK	O	Output terminal of serial clock signal to DTS μ -COM.

No.	Symbol	I/O	Terminal Description
40	METAL	I	Input terminal of METAL tape detection signal.
41	GND	—	GND terminal.
42	F/R	O	Output terminal of tape FORWARD/ REVERSE indicator signal.
43	DTS MUTE	I	Input terminal of MUTE signal from DTS μ -COM.
44	LCD-RST	O	Output terminal of RESET signal to LCD DRIVER.
45	LCD-DO	I	Input terminal of serial data signal from LCD DRIVER (LC75883).
46	LCD-DI	O	Output terminal of chip enable signal to LCD DRIVER.
47	LCD-CLK	O	Output terminal of serial clock signal to LCD DRIVER,
48	LCD-CE	O	Output terminal of serial data signal to LCD DRIVER,
49	NC	—	No connect terminal.
50			
51	IN DIMMER	I	Input terminal of DIMMER control signal.
52	NC	—	No connect terminal.
53			
54	IN-INT	I	Input terminal of IN-INTERRUPT.
55	LIMIT SW2	I	Input terminal of loading NOSE limit signal.
56	LIMIT SW1		
57	DOOR SW	I	Input terminal of detection SW signal to CASSETTE door open/close.
58	MOTOR REV	O	Output terminal of motor control signal to loading NOSE open/ close.
59	MOTOR FOR		
60	DOOR LED	O	Output terminal of LED control signal to DOOR.
61	NC	—	No connect terminal.
62			
63			
64	EV-DATA	O	Output terminal of serial data signal to Electric Volume.
65	EV-CLK	O	Output terminal of serial clock signal to Electric Volume.
66	○ BBE-1	O	Control output terminal of BBE (BBE).
	● NC	—	No connect terminal.
67	○ BBE-2	O	Control output terminal of BBE (PROCESS).
	● NC	—	No connect terminal.
68	○ BBE-3	O	Control output terminal of BBE (LO CONT).
	● NC	—	No connect terminal.
69	NFP-1	O	Output terminal of control signal to NFP.
70	NFP-2		
71	MUTE	O	AUDIO MUTE signal output terminal.
72	V _{SS}	—	GND terminal.
73	MOTOR-CONT	O	Output terminal of unison motor power control signal.
74	NC	—	No connect terminal.
75			
80			

NOTE : ○ : For TDA-7572R Model Only, ● : For TDA-7570R Model Only, Others : Common.

No.	Symbol	I/O	Terminal Description
40	METAL	I	Input terminal of METAL tape detection signal.
41	GND	—	GND terminal.
42	F/R	O	Output terminal of tape FORWARD/ REVERSE indicator signal.
43	DTS MUTE	I	Input terminal of MUTE signal from DTS μ -COM.
44	LCD-RST	O	Output terminal of RESET signal to LCD DRIVER.
45	LCD-DO	I	Input terminal of serial data signal from LCD DRIVER (LC75883).
46	LCD-DI	O	Output terminal of chip enable signal to LCD DRIVER.
47	LCD-CLK	O	Output terminal of serial clock signal to LCD DRIVER,
48	LCD-CE	O	Output terminal of serial data signal to LCD DRIVER,
49	NC	—	No connect terminal.
50			
51	IN DIMMER	I	Input terminal of DIMMER control signal.
52	NC	—	No connect terminal.
53			
54	IN-INT	I	Input terminal of IN-INTERRUPT.
55	LIMIT SW2	I	Input terminal of loading NOSE limit signal.
56	LIMIT SW1		
57	DOOR SW	I	Input terminal of detection SW signal to CASSETTE door open/close.
58	MOTOR REV	O	Output terminal of motor control signal to loading NOSE open/close.
59	MOTOR FOR		
60	DOOR LED	O	Output terminal of LED control signal to DOOR.
61	NC	—	No connect terminal.
62			
63			
64	EV-DATA	O	Output terminal of serial data signal to Electric Volume.
65	EV-CLK	O	Output terminal of serial clock signal to Electric Volume.
66	○ BBE-1	O	Control output terminal of BBE (BBE).
	● NC	—	No connect terminal.
67	○ BBE-2	O	Control output terminal of BBE (PROCESS).
	● NC	—	No connect terminal.
68	○ BBE-3	O	Control output terminal of BBE (LO CONT).
	● NC	—	No connect terminal.
69	NFP-1	O	Output terminal of control signal to NFP.
70	NFP-2		
71	MUTE	O	AUDIO MUTE signal output terminal.
72	V _{SS}	—	GND terminal.
73	MOTOR-CONT	O	Output terminal of unison motor power control signal.
74	NC	—	No connect terminal.
75			
80			

NOTE : ○ : For TDA-7572R Model Only, ● : For TDA-7570R Model Only, Others : Common.

No.	Symbol	I/O	Terminal Description
81	V _{DD}	—	Power supply terminal.
82	PWR IC-ON	O	Output terminal of stand-by control signal to Power IC.
83	NOSE-PWR	O	Output terminal of power control signal to LCD DRIVER.
84	CFL ON	O	Output terminal of power control signal to LCD back light.
85	PWR-CONT	O	Output terminal of power control signal to AUDIO and Key lighting.
86	NC (PULL UP)	—	Pull up terminal.
87	DIMMER-CONT	O	Output terminal of control signal (PWM) to DIMMER.
88	BUZZER	O	Output terminal of gide tone buzzer signal.
89	FOR-RUN-DET	I	Input terminal of FOR REEL rotate detection signal.
90	NC	—	No connect terminal.
91	REMOCON	I	Remote Control data input terminal.
92	NC	—	No connect terminal.
93			
94	V _{PP}	—	GND terminal.
95	NC	—	No connect terminal.
96			
99			
100	PAU-SW	I	Input terminal of PAUSE MODE detection signal.

MB89689PF : IC502

No.	Symbol	I/O	Terminal Description
1	V _{CC}	—	+5V Connection Terminal.
2	NC	—	No Connection Terminal.
3	X0A	—	GND Connection Terminal.
4	MOD0		
5	MOD1		
6	X0	O	Crystal Connection Terminal. (8MHz)
7	X1	I	
8	V _{SS}	—	GND Connection Terminal.
9	RESET	I	Reset Signal Input Terminal. (RESET : L)
10	NC	—	No Connection Terminal.
22			
23	AM ST	—	AM ST Signal Input Terminal. (Connection Pull-Down)
24	NC	—	No Connection Terminal.
25			
33			
34	A-MUTE	O	Tuner Mute Signal Output Terminal. (MUTE ON : L)

No.	Symbol	I/O	Terminal Description
35	GND	—	GND Connection Terminal.
38			
39	NC	—	No Connection Terminal.
44			
45	RxD	I	RDS Monitor Input Terminal. (Pull-Up Connection)
46	TxD	O	RDS Monitor Output Terminal.
47	NC	—	No Connection Terminal.
49			
50	VCC	—	VCC Connection Terminal.
51	NC	—	No Connection Terminal.
52			
53	TUNER CLK	I	Clock Signal Input Terminal from Main μ -COM.
54	TUNER SI	I	Serial Input Terminal from Main μ -COM.
55	TUNER SO	O	Serial Output Terminal to Main μ -COM.
56	RDS SDA	I/O	RDS I2C Data Input/Output Terminal.
57	RDS CLK	O	RDS I2C Clock Output Terminal.
58	GND	—	GND Connection Terminal.
59	VSS	—	
60	GND	—	
62			
63	E2P SDA	I/O	E2P-ROM Data Input/Output Terminal.
64	E2P CLK	O	E2P-ROM Clock Output Terminal.
65	NC	—	No Connection Terminal.
66			
67	SEEK Req.	O	Seek Speed Control Terminal. (Tuner // During SEEK : L)
68	GND	—	GND Connection Terminal.
69	AF HOLD	O	AF Hold Output Terminal. (Tuner Set Up Hold : L)
70	NC	—	No Connection Terminal.
71	IF MUTE	O	IF Mute Control Terminal. (Pull-Up Connection)
72	FM / AM	O	FM / AM Switching Terminal. (FM : H)
73	PLL CLK	O	PLL Clock Output Terminal.
74	PLL DATA	I/O	PLL Data Input/Output Terminal. (Pull-Up Connection)
75	PLL CE	O	PLL CE Output Terminal.
76	SEEK Req.	O	Seek Speed Control Terminal. (Tuner / During SEEK : H)
77	RDS RESET	O	Power ON Reset Terminal of RDS Decoder (SAA6588T).
78	SD	I	SD Input Terminal. (Tuner / Station ON : H)
79	PSWN	I	Audio Signal Level Detection Terminal from RDS Decoder (SAA6588T). (No Station : L)

No.	Symbol	I/O	Terminal Description
80	Auto Adj.	I	Auto Adjustment Terminal. (Auto Adjustment Start : L)
81	NC	—	No Connection Terminal.
82	LO/ \overline{DX}	O	Local Seek / DX Seek Switching Terminal. (Tuner / Local Seek : H)
83	NC	—	No Connection Terminal.
84	AVSS	—	GND Connection Terminal.
85	S / M	I	Field Strength Input Terminal. (A / D, Tuner)
86	M / P	I	Multi Path Detection Input Terminal. (A / D, SAA6588T)
87	GND	—	GND Connection Terminal.
92			
93	AVCC	—	VCC Connection Terminal.
94	AVR		
95	NC	—	No Connection Terminal.
96			
97	TUNER STBY	I	Stand-by Input Terminal from Main μ -COM.
98	NC	—	No Connection Terminal.
99	DAVN	I	RDS Data Available Input Terminal. (SAA6588T)
100	NC	—	No Connection Terminal.

Electrical Parts List

Capacitor : μ F=microfarads,pF=picofarads

Abbreviations			Symbol No.	Part No.	Description
RES. = Resistor	CAP. = Capacitor		Q602	48T64222F02	TR , UN2212 22-22 -TX
C. F. = Carbon Film	ELY. = Electrolytic		Q603	48T64222F02	TR , UN2212 22-22 -TX
M. F. = Metal Film	CER. = Ceramic		Q604	48T64222F01	TR , UN2211 10-10 -TX
M. O. = Metal Oxide Film	MYL. = Mylar		Q605	48T64222F01	TR , UN2211 10-10 -TX
M. P. = Metal Plate	TAN. = Tantalum		Q606	48T64222F01	TR , UN2211 10-10 -TX
TR. = Transistor	POLY. = Polystyrol		Q607	48T52437F05	TR , 2SB709A-S /TX-CP
TRANS. = Transformer	PP. = Polypropylene		Q645	48T64222F01	TR , UN2211 10-10 -TX
CP. = Chip	PLT. = Polyethylene		Q801	48T84366F03	TR, 2SB1243-Q-TV2 -RD
	PF. = Polyester Film		Q802	48T64222F11	TR, UN221F-TX -CP
Symbol No.	Part No.	Description	Q803	48T45594W12	TR , XN1A312 -TX-CP
Main P. W. Board					
IC's					
○ IC001	51T15731W10	TC7S66F-TE85L -CP	Q804	48T45594W12	TR , XN1A312 -TX-CP
IC002	51T93332F01	IC, NJM2903M-TE3 -SE2	Q806	48T93828F04	TR, 2SD1994A-S-TA -RD
IC004	51T93333F01	NJM2904M-TE3 -SE2	Q807	48T93828F04	TR, 2SD1994A-S-TA -RD
IC005	51T15132Y02	SAA6588T -SE9	Q808	48T45594W12	TR , XN1A312 -TX-CP
IC202	51T15404Y01	TDA7461D -SEC	Q809	48T69176F02	TR , 2SC3421-Y
○ IC203	51T15468Y02	NJM2150AV-TE1 -SE2	Q810	48T52438F04	TR , 2SD601A-S /TX-CP
IC206	51T15456Y01	TC74HC4066AFT-EL-SE5	Q812	48T64221F13	TR, UN211H-TX -CP
IC301	51T15021Y01	TDA7386 -ZS	Q813	48T52437F05	TR , 2SB709A-S /TX-CP
○ IC330	51T15456Y01	TC74HC4066AFT-EL-SE5	Q814	48T64222F01	TR , UN2211 10-10 -TX
○ IC331	51T15456Y01	TC74HC4066AFT-EL-SE5	Q816	48T84366F03	TR, 2SB1243-Q-TV2 -RD
IC332	51T90149F03	IC, M5218AFP-TE3-SE06	Q817	48T64221F13	TR, UN211H-TX -CP
○ IC333	51T90149F03	IC, M5218AFP-TE3-SE06	Q819	48T64222F12	TR, UN221L-TX -CP
○ IC334	51T90149F03	IC, M5218AFP-TE3-SE06	Q820	48T64222F02	TR , UN2212 22-22 -TX
IC501	51T35109Y13	MTP, D78F4218GC	Q821	48T52437F05	TR , 2SB709A-S /TX-CP
IC502	51T15161Y02	IC, M889689PF-G110-QT	Q822	48T52438F04	TR , 2SD601A-S /TX-CP
IC503	51T25160Y01	M24C04-WMNGT -SE2	Q823	48T64221F02	TR , UN2112 22-22 -TX
IC801	51T25283Y01	TDA3616T -SE9	Q825	48T45594W12	TR , XN1A312 -TX-CP
IC802	51T90149F03	IC, M5218AFP-TE3-SE06	Q826	48T64222F02	TR , UN2212 22-22 -TX
IC804	51T93332F01	IC, NJM2903M-TE3 -SE2	Q827	48T45594W16	TR, XN1A311-TX -CP
IC810	51T25448Y01	BA6219BFP-Y-E2 -SE9	Q828	48T45594W12	TR , XN1A312 -TX-CP
Transistors					
Q002	48T62967F09	TR, DTC114TKA-T146-CP	Q830	48T45594W08	TR , XN1212 -TX-CP
Q003	48T45594W12	TR , XN1A312 -TX-CP	Q840	48T93828F04	TR, 2SD1994A-S-TA -RD
Q005	48T45594W08	TR , XN1212 -TX-CP	Q870	48T92368F04	TR, 2SD1760 R -E5
Q010	48T45594W16	TR, XN1A311-TX -CP	Q871	48T52438F04	TR , 2SD601A-S /TX-CP
Q202	48T45594W08	TR , XN1212 -TX-CP	Q872	48T93828F04	TR, 2SD1994A-S-TA -RD
● Q331	48T25317Y01	TR, XN0F256-TX -CP	Diodes		
○ Q332	48T25317Y01	TR, XN0F256-TX -CP	D001	48T15437Y01	D10, HSM123-TL -CP
○ Q333	48T25317Y01	TR, XN0F256-TX -CP	● D241	48T75404W01	D10, 1SS353-TE17 -CP
Q501	48T64221F11	TR, UN211L-TX -CP	○ D331	48T25651W01	D10, CP MA152WA
Q502	48T64222F02	TR , UN2212 22-22 -TX	○ D332	48T25651W01	D10, CP MA152WA
Q601	48T64221F11	TR, UN211L-TX -CP	○ D333	48T25651W01	D10, CP MA152WA
			D501	48T75404W01	D10, 1SS353-TE17 -CP
			D601	48T25651W02	D10, MA152WK-TX -CP
			D602	48T25651W02	D10, MA152WK-TX -CP

NOTE : ○ : For TDA-7572R Model Only,

● : For TDA-7570R Model Only,

Others : Common.

Symbol No.	Part No.	Description
D801	48T68580F03	DIO. SI DSA3A4-F5
D802	48T75404W01	DIO. 1SS353-TE17 -CP
D803	48T15658Y02	DIO. 1A4 -R5
D804	48T85357W01	DIO. 1PS226 -CP
D806	48T68828F11	DIO. 1SS133 -RH
D807	48T25651W01	DIO. CP MA152WA
D808	48T25651W02	DIO. MA152WK-TX -CP
D810	48T15658Y02	DIO. 1A4 -R5
D811	48T81063F01	DIO. CP. MA159 / TX-CP
ZD241	48T25801W08	DIO. ZEN. HZS 4BLL -R5
ZD801	48T25766W14	DIO. ZEN. HZS 7B2L -R5
ZD802	48T25766W29	DIO. ZEN. HZS11A3L -R5
ZD803	48T25766W24	DIO. ZEN. HZS 9C1L -R5
ZD804	48T25766W03	DIO. ZEN. HZS 6A3L -R5
ZD805	48T25766W39	DIO. ZEN. HZS12B1L -R5
ZD806	48T25801W08	DIO. ZEN. HZS 4BLL -R5
ZD871	48T25766W04	DIO. ZEN. HZS 6B1L -R5
Coils		
L001	24T65172W17	IND. LEM4532 4R7K -E2
L002	24T16403W29	COI. IND. 15R-M -CP
L010	24T16403W15	COI. IND. 1R0-M K -CP
L011	24T16403W15	COI. IND. 1R0-M K -CP
L012	24T16403W07	COI. IND. R22-M K -CP
L013	24T16403W15	COI. IND. 1R0-M K -CP
L801	25T25663Y01	CHOKE. LAT1608-105-DB
VT001	24T15267Y01	COIL. 7TL -DB
Crystals		
XL001	91T85169W18	XTL. HC-49 4. 332M -R5
XL501	91T95084W02	XTL. CS20 12. 288M -E9
XL502	91T85169W44	XTL. HC-49 7. 3728M-R5
LED's		
LD601	48T65477W05	LED. SML-010DTT87 -CP (ORG)
LD603	48T65477W05	LED. SML-010DTT87 -CP (ORG)
Surge Protector		
DSP001	48T70875F02	PTT. DSP-201M

Symbol No.	Part No.	Description
Filter		
CF001	91T75257W02	LPF. LPF11830KH-3C-DB
Switches		
○ SW331	40T15452Y01	SW. SLIDE SLD-62-724X (Ai-NET NORM/ (EQ/DIV))
SW332	40T45282W02	SW. SLIDE SLD-42-508X (Ai-NET NORM/ (EQ/DIV))
Buzzer		
BZ601	50T85541W01	BUZZER. CD11PA-XZ -H5
Capacitors		
C002	08T15399W01	CAP. CER. 223K-B1H -CP
C003	08S65128F67	CAP. CER. 682K-B1H -CP
C004	08S82122F53	CAP. CER. 471J-CH1H-CP
C007	08T15399W01	CAP. CER. 223K-B1H -CP
C008	08S35374W01	CAP. CER. 104K-B1E-CP
C009	08S82122F37	CAP. CER. 101J-CH1H-CP
C011	08T15399W01	CAP. CER. 223K-B1H -CP
C012	08T15399W01	CAP. CER. 223K-B1H -CP
C016	08S65128F61	CAP. CER. 222K-B1H -CP
C018	08S45677W48	CAP. CER. 331J-CH1H-CP
C019	08S45677W36	CAP. CER. 101J-CH1H-CP
C020	08S65128F69	CAP. CER. 103K-B1H -CP
C025	08S82122F24	CAP. CER. 30RJ-CH1H-CP
C026	08S82122F23	CAP. CER. 27RJ-CH1H-CP
C028	08S65128F61	CAP. CER. 222K-B1H -CP
C030	08S45677W54	CAP. CER. 561J-CH1H-CP
C106	08S72783F23	CAP. CP. 101-J-CH
C107	08S82122F37	CAP. CER. 101J-CH1H-CP
C205	08S35374W01	CAP. CER. 104K-B1E-CP
C206	08S82122F61	CAP. CER. 102J-CH1H-CP
C207	08S35374W01	CAP. CER. 104K-B1E-CP
C208	08T15399W04	CAP. CER. 273K-B1H -CP
C209	08S65128F65	CAP. CER. 472K-B1H -CP
C210	08S82122F37	CAP. CER. 101J-CH1H-CP
C212	08S35374W01	CAP. CER. 104K-B1E-CP
C213	08S35374W01	CAP. CER. 104K-B1E-CP
C214	08S35374W01	CAP. CER. 104K-B1E-CP
○ C231	08T55390W11	CAP. PF 332J-1H -R5
○ C232	08T55390W11	CAP. PF 332J-1H -R5
○ C233	08T55390W23	CAP. TF 333J-1H -R5

NOTE : ○ : For TDA-7572R Model Only. Others : Common.

Symbol No.	Part No.	Description	Symbol No.	Part No.	Description
○ C234	08T55390W23	CAP. TF 333J-1H -R5	E182	23S75372W04	CAP. ELY 10R-1C -R2
C241	08S82122F33	CAP. CER. 68RJ-CH1H-CP	E201	23S75372W04	CAP. ELY 10R-1C -R2
C337	08S45677W32	CAP. CER. 68RJ-CH1H-CP	E207	23S75372W04	CAP. ELY 10R-1C -R2
C338	08S45677W32	CAP. CER. 68RJ-CH1H-CP	E208	23S75372W09	CAP. ELY 4R7-1V -R2
C339	08S45677W32	CAP. CER. 68RJ-CH1H-CP	○ E209	23S75372W17	CAP. ELY 3R3-1H -R2
C340	08S45677W32	CAP. CER. 68RJ-CH1H-CP	○ E210	23S75372W17	CAP. ELY 3R3-1H -R2
○ C345	08S45677W25	CAP. CER. 36RJ-CH1H-CP	○ E213	23S75372W17	CAP. ELY 3R3-1H -R2
○ C346	08S45677W25	CAP. CER. 36RJ-CH1H-CP	○ E214	23S75372W17	CAP. ELY 3R3-1H -R2
○ C347	08S45677W25	CAP. CER. 36RJ-CH1H-CP	E215	23S75372W15	CAP. ELY 1R0-1H -R2
○ C348	08S45677W25	CAP. CER. 36RJ-CH1H-CP	E216	23S75372W05	CAP. ELY 22R-1C -R2
○ C353	08S45677W25	CAP. CER. 36RJ-CH1H-CP	○ E231	23S75372W04	CAP. ELY 10R-1C -R2
○ C354	08S45677W25	CAP. CER. 36RJ-CH1H-CP	○ E232	23S75372W05	CAP. ELY 22R-1C -R2
○ C355	08S45677W25	CAP. CER. 36RJ-CH1H-CP	○ E234	23S75372W04	CAP. ELY 10R-1C -R2
○ C356	08S45677W25	CAP. CER. 36RJ-CH1H-CP	○ E235	23S75372W04	CAP. ELY 10R-1C -R2
C501	08S82122F15	CAP. CER. 12RJ-CH1H-CP	E241	23S75372W04	CAP. ELY 10R-1C -R2
C502	08S82122F17	CAP. CER. 15RJ-CH1H-CP	E242	23S75372W04	CAP. ELY 10R-1C -R2
C503	08T15399W01	CAP. CER. 223K-B1H -CP	E243	23S75372W16	CAP. ELY 2R2-1H -R2
C504	08S82122F19	CAP. CER. 18RJ-CH1H-CP	E301	23T95115W01	CAP. AD R33-1H -R2
C505	08S82122F19	CAP. CER. 18RJ-CH1H-CP	E302	23T95115W01	CAP. AD R33-1H -R2
C506	08T15399W01	CAP. CER. 223K-B1H -CP	E303	23T95115W01	CAP. AD R33-1H -R2
C507	08S65128F69	CAP. CER. 103K-B1H -CP	E304	23T95115W01	CAP. AD R33-1H -R2
C508	08T15399W01	CAP. CER. 223K-B1H -CP	E305	23T55378W12	CAP. KMG. 1R0-1H -R2
C601	08T15399W01	CAP. CER. 223K-B1H -CP	E306	23T95115W02	CAP. AD 1R0-1H -R2
C602	08S35374W01	CAP. CER. 104K-B1E-CP	E307	23T55378W06	CAP. KMG 47R-1V -R2
C603	08S65128F61	CAP. CER. 222K-B1H -CP	○ E330	23S75372W04	CAP. ELY 10R-1C -R2
C604	08S45677W36	CAP. CER. 101J-CH1H-CP	○ E331	23S75372W04	CAP. ELY 10R-1C -R2
C605	08T15399W04	CAP. CER. 273K-B1H -CP	E333	23S75372W16	CAP. ELY 2R2-1H -R2
C607	08T15399W04	CAP. CER. 273K-B1H -CP	E334	23S75372W16	CAP. ELY 2R2-1H -R2
C802	08T15399W01	CAP. CER. 223K-B1H -CP	E335	23S75372W16	CAP. ELY 2R2-1H -R2
C804	08T55487W02	CAP. CER. 224K-B1C -CP	E336	23S75372W16	CAP. ELY 2R2-1H -R2
C807	08S82122F61	CAP. CER. 102J-CH1H-CP	○ E337	23S75372W04	CAP. ELY 10R-1C -R2
C808	08S45677W36	CAP. CER. 101J-CH1H-CP	○ E338	23S75372W04	CAP. ELY 10R-1C -R2
C809	08S45677W22	CAP. CER. 27RJ-CH1H-CP	○ E339	23S75372W04	CAP. ELY 10R-1C -R2
C830	08T15399W01	CAP. CER. 223K-B1H -CP	○ E341	23S75372W04	CAP. ELY 10R-1C -R2
C831	08T55390W34	CAP. TF 274J-1H -R5	○ E342	23S75372W04	CAP. ELY 10R-1C -R2
C870	08T15399W01	CAP. CER. 223K-B1H -CP	○ E343	23S75372W04	CAP. ELY 10R-1C -R2
C871	08T95466W01	CAP. CER. 222K-B2J -CP	○ E345	23S75372W16	CAP. ELY 2R2-1H -R2
C874	08T95466W01	CAP. CER. 222K-B2J -CP	○ E346	23S75372W16	CAP. ELY 2R2-1H -R2
E001	23S75372W04	CAP. ELY 10R-1C -R2	○ E347	23S75372W16	CAP. ELY 2R2-1H -R2
E002	23S75372W15	CAP. ELY 1R0-1H -R2	○ E348	23S75372W16	CAP. ELY 2R2-1H -R2
E003	23S75372W12	CAP. ELY R33-1H -R2	● E349	23S75372W16	CAP. ELY 2R2-1H -R2
E006	23S75372W17	CAP. ELY 3R3-1H -R2	● E350	23S75372W16	CAP. ELY 2R2-1H -R2
E007	23S75372W04	CAP. ELY 10R-1C -R2	E501	23S75372W03	CAP. ELY 221-1A -H2
E009	23S75372W04	CAP. ELY 10R-1C -R2	E502	23S75372W03	CAP. ELY 221-1A -H2
E010	23S75372W16	CAP. ELY 2R2-1H -R2	E503	23S75372W05	CAP. ELY 22R-1C -R2
E020	23S75372W04	CAP. ELY 10R-1C -R2	E504	23S65134W32	CAP. ELY 22R-1C (5) -E3
E120	23S65134W31	CAP. ELY 10R-1C (4) -E2	E601	23S75372W04	CAP. ELY 10R-1C -R2
○ E121	23S65134W31	CAP. ELY 10R-1C (4) -E2	E801	23T75346W03	CAP. X-PRO 332-1C +
E181	23S75372W04	CAP. ELY 10R-1C -R2	E802	23S75372W10	CAP. ELY R10-1H -R2

NOTE : ○ : For TDA-7572R Model Only, ● : For TDA-7570R Model Only, Others : Common.

Symbol No.	Part No.	Description
E803	23S75372W13	CAP. ELY R47-1H -R2
E806	23S65134W72	CAP. ELY 3R3-1H (4) -E2
E807	23S75372W07	CAP. ELY 47R-1C -R2
E808	23S75372W05	CAP. ELY 22R-1C -R2
E809	23S75372W03	CAP. ELY 221-1A -H2
E811	23S75372W05	CAP. ELY 22R-1C -R2
E812	23S75372W07	CAP. ELY 47R-1C -R2
E813	23S75372W07	CAP. ELY 47R-1C -R2
E814	23S75372W07	CAP. ELY 47R-1C -R2
E815	23S75372W07	CAP. ELY 47R-1C -R2
E817	23S75372W05	CAP. ELY 22R-1C -R2
E818	23S75372W04	CAP. ELY 10R-1C -R2
E821	23S75372W04	CAP. ELY 10R-1C -R2
E822	23S75372W04	CAP. ELY 10R-1C -R2
E823	23S65134W31	CAP. ELY 10R-1C (4) -E2
E870	23S75372W03	CAP. ELY 221-1A -H2
E871	23S75372W03	CAP. ELY 221-1A -H2
E872	23S75372W04	CAP. ELY 10R-1C -R2
Resistors		
L501	06T75434W26	RES. RK JUMPER 1/4-CP
L502	06T75432W50	RES. RK JUMPER1/10-CP
R001	06S70072F05	RES. CP . 10R-J-1/4-CP
R003	06T75431W89	RES. RK 183J 1/10 -CP
R004	06T75431W93	RES. RK 273J 1/10 -CP
R005	06T75432W40	RES. RK 225J 1/10 -CP
R006	06T75431W59	RES. RK 102J 1/10 -CP
R007	06T75431W59	RES. RK 102J 1/10 -CP
R008	06T75431W59	RES. RK 102J 1/10 -CP
R009	06T75431W83	RES. RK 103J 1/10 -CP
R010	06T75432W16	RES. RK 224J 1/10 -CP
R011	06T75432W08	RES. RK 104J 1/10 -CP
R012	06T75431W91	RES. RK 223J 1/10 -CP
R013	06T75431W77	RES. RK 562J 1/10 -CP
R014	06T75431W91	RES. RK 223J 1/10 -CP
R015	06T75431W79	RES. RK 682J 1/10 -CP
R016	06T75431W74	RES. RK 432J 1/10 -CP
R017	06T75432W10	RES. RK 124J 1/10 -CP
R018	06T75431W99	RES. RK 473J 1/10 -CP
R019	06T75431W99	RES. RK 473J 1/10 -CP
R021	06T25277Y90	RES. RK 243J 1/16 -CP
R022	06T25277Y89	RES. RK 223J 1/16 -CP
R023	06T75431W83	RES. RK 103J 1/10 -CP
R024	06T25277Y57	RES. RK 102J 1/16 -CP
R025	06T75432W16	RES. RK 224J 1/10 -CP
R026	06T75431W91	RES. RK 223J 1/10 -CP
R028	06T75431W53	RES. RK 561J 1/10 -CP

Symbol No.	Part No.	Description
R031	06T75431W91	RES. RK 223J 1/10 -CP
R032	06T75432W50	RES. RK JUMPER1/10-CP
R033	06T75432W50	RES. RK JUMPER1/10-CP
R034	06T25277Y57	RES. RK 102J 1/16 -CP
R035	06T75432W50	RES. RK JUMPER1/10-CP
R036	06T25277Y43	RES. RK 271J 1/16 -CP
R037	06T25277Y43	RES. RK 271J 1/16 -CP
R038	06T25277Y57	RES. RK 102J 1/16 -CP
R040	06T75431W67	RES. RK 222J 1/10 -CP
R041	06T25278Y22	RES. RK 474J 1/16 -CP
R042	06T75431W59	RES. RK 102J 1/10 -CP
R101	06T75432W50	RES. RK JUMPER1/10-CP
R102	06T75432W50	RES. RK JUMPER1/10-CP
R106	06T25277Y81	RES. RK 103J 1/16 -CP
R108	06T75433W89	RES. RK 473J 1/4 -CP
R110	06T25277Y97	RES. RK 473J 1/16 -CP
R111	06T75431W99	RES. RK 473J 1/10 -CP
R116	06T75432W50	RES. RK JUMPER1/10-CP
R118	06T25277Y81	RES. RK 103J 1/16 -CP
R120	06T25279Y04	RES. RK JUMPER1/16-CP
R138	06T75431W67	RES. RK 222J 1/10 -CP
R139	06T75431W95	RES. RK 333J 1/10 -CP
R140	06T75431W95	RES. RK 333J 1/10 -CP
R141	06T75431W99	RES. RK 473J 1/10 -CP
R143	06T25279Y04	RES. RK JUMPER1/16-CP
R144	06T25279Y04	RES. RK JUMPER1/16-CP
R147	06T25279Y04	RES. RK JUMPER1/16-CP
R148	06T25279Y04	RES. RK JUMPER1/16-CP
R149	06T75434W26	RES. RK JUMPER 1/4-CP
R150	06T75434W26	RES. RK JUMPER 1/4-CP
R182	06T25277Y65	RES. RK 222J 1/16 -CP
R183	06T25277Y67	RES. RK 272J 1/16 -CP
R184	06T25277Y67	RES. RK 272J 1/16 -CP
R185	06T25277Y65	RES. RK 222J 1/16 -CP
R201	06T25279Y04	RES. RK JUMPER1/16-CP
R202	06T25279Y04	RES. RK JUMPER1/16-CP
R215	06T75431W81	RES. RK 822J 1/10 -CP
R218	06T75431W97	RES. RK 393J 1/10 -CP
R219	06T75431W97	RES. RK 393J 1/10 -CP
R222	06T25278Y22	RES. RK 474J 1/16 -CP
R223	06T75433W49	RES. RK 102J 1/4 -CP
R224	06T75432W02	RES. RK 563J 1/10 -CP
R226	06T75432W02	RES. RK 563J 1/10 -CP
R227	06T25277Y57	RES. RK 102J 1/16 -CP
R228	06T25277Y57	RES. RK 102J 1/16 -CP
○ R231	06T75431W90	RES. RK 203J 1/10 -CP
○ R232	06T75431W90	RES. RK 203J 1/10 -CP
○ R233	06T75431W90	RES. RK 203J 1/10 -CP
○ R234	06T75431W90	RES. RK 203J 1/10 -CP

NOTE : ○ : For TDA-7572R Model Only, Others : Common.

Symbol No.	Part No.	Description	Symbol No.	Part No.	Description
○ R235	06T75431W83	RES. RK 103J 1/10 -CP	○ R365	06T25277Y41	RES. RK 221J 1/16 -CP
○ R236	06T75431W83	RES. RK 103J 1/10 -CP	○ R366	06T25277Y41	RES. RK 221J 1/16 -CP
○ R237	06T75431W83	RES. RK 103J 1/10 -CP	○ R367	06T25277Y89	RES. RK 223J 1/16 -CP
R241	06T75432W08	RES. RK 104J 1/10 -CP	○ R368	06T25277Y89	RES. RK 223J 1/16 -CP
R242	06T75432W08	RES. RK 104J 1/10 -CP	○ R369	06T25277Y33	RES. RK 101J 1/16 -CP
R243	06T25277Y97	RES. RK 473J 1/16 -CP	○ R370	06T25277Y33	RES. RK 101J 1/16 -CP
R244	06T75431W69	RES. RK 272J 1/10 -CP	● R373	06T25277Y41	RES. RK 221J 1/16 -CP
R245	06T75431W85	RES. RK 123J 1/10 -CP	● R374	06T25277Y41	RES. RK 221J 1/16 -CP
R246	06T25279Y04	RES. RK JUMPER1/16-CP	● R375	06T25277Y89	RES. RK 223J 1/16 -CP
R247	06T75431W99	RES. RK 473J 1/10 -CP	● R376	06T25277Y89	RES. RK 223J 1/16 -CP
R261	06T25277Y97	RES. RK 473J 1/16 -CP	● R377	06T25277Y33	RES. RK 101J 1/16 -CP
R262	06T25277Y97	RES. RK 473J 1/16 -CP	● R378	06T25277Y33	RES. RK 101J 1/16 -CP
R301	06T75431W83	RES. RK 103J 1/10 -CP	○ R381	06T25277Y81	RES. RK 103J 1/16 -CP
○ R303	06T25279Y04	RES. RK JUMPER1/16-CP	○ R382	06T75431W83	RES. RK 103J 1/10 -CP
○ R305	06T25279Y04	RES. RK JUMPER1/16-CP	● R383	06T25277Y41	RES. RK 221J 1/16 -CP
● R311	06T25279Y04	RES. RK JUMPER1/16-CP	● R384	06T25277Y41	RES. RK 221J 1/16 -CP
● R312	06T25279Y04	RES. RK JUMPER1/16-CP	● R385	06T25277Y41	RES. RK 221J 1/16 -CP
● R321	06T75431W69	RES. RK 272J 1/10 -CP	● R386	06T25277Y41	RES. RK 221J 1/16 -CP
● R322	06T75431W69	RES. RK 272J 1/10 -CP	○ R387	06T25277Y41	RES. RK 221J 1/16 -CP
○ R323	06T75431W69	RES. RK 272J 1/10 -CP	○ R388	06T25277Y41	RES. RK 221J 1/16 -CP
○ R324	06T75431W69	RES. RK 272J 1/10 -CP	○ R389	06T25277Y41	RES. RK 221J 1/16 -CP
○ R325	06T75431W69	RES. RK 272J 1/10 -CP	○ R390	06T25277Y41	RES. RK 221J 1/16 -CP
○ R326	06T75431W69	RES. RK 272J 1/10 -CP	R391	06S15593Y79	RES. RK 183F 1/10 -CP
R337	06S15593Y75	RES. RK 123F 1/10 -CP	R392	06S15593Y79	RES. RK 183F 1/10 -CP
R338	06S15593Y75	RES. RK 123F 1/10 -CP	R393	06S15593Y79	RES. RK 183F 1/10 -CP
R339	06S15593Y75	RES. RK 123F 1/10 -CP	R394	06S15593Y79	RES. RK 183F 1/10 -CP
R340	06S15593Y75	RES. RK 123F 1/10 -CP	R500	06T75431W59	RES. RK 102J 1/10 -CP
○ R341	06S15593Y81	RES. RK 223F 1/10 -CP	R501	06T75431W85	RES. RK 123J 1/10 -CP
○ R342	06S15593Y81	RES. RK 223F 1/10 -CP	R503	06T75431W59	RES. RK 102J 1/10 -CP
○ R343	06S15593Y81	RES. RK 223F 1/10 -CP	R504	06T75431W59	RES. RK 102J 1/10 -CP
○ R344	06S15593Y81	RES. RK 223F 1/10 -CP	R505	06T75431W59	RES. RK 102J 1/10 -CP
○ R345	06S15593Y81	RES. RK 223F 1/10 -CP	R506	06T75431W59	RES. RK 102J 1/10 -CP
○ R346	06S15593Y81	RES. RK 223F 1/10 -CP	R507	06T75431W59	RES. RK 102J 1/10 -CP
○ R347	06S15593Y81	RES. RK 223F 1/10 -CP	R511	06T75431W59	RES. RK 102J 1/10 -CP
○ R348	06S15593Y81	RES. RK 223F 1/10 -CP	R513	06T25277Y81	RES. RK 103J 1/16 -CP
○ R349	06S15593Y81	RES. RK 223F 1/10 -CP	R515	06T75431W59	RES. RK 102J 1/10 -CP
○ R350	06S15593Y81	RES. RK 223F 1/10 -CP	R516	06T75431W59	RES. RK 102J 1/10 -CP
○ R351	06S15593Y81	RES. RK 223F 1/10 -CP	R517	06T75431W59	RES. RK 102J 1/10 -CP
○ R352	06S15593Y81	RES. RK 223F 1/10 -CP	○ R518	06T25277Y85	RES. RK 153J 1/16 -CP
○ R353	06S15593Y81	RES. RK 223F 1/10 -CP	○ R519	06T25277Y77	RES. RK 682J 1/16 -CP
○ R354	06S15593Y81	RES. RK 223F 1/10 -CP	● R519	06T25277Y89	RES. RK 223J 1/16 -CP
○ R355	06S15593Y81	RES. RK 223F 1/10 -CP	R520	06T25278Y06	RES. RK 104J 1/16 -CP
○ R356	06S15593Y81	RES. RK 223F 1/10 -CP	R521	06T75432W50	RES. RK JUMPER1/10-CP
○ R357	06T25277Y41	RES. RK 221J 1/16 -CP	R524	06T25279Y04	RES. RK JUMPER1/16-CP
○ R358	06T25277Y41	RES. RK 221J 1/16 -CP	R525	06T25278Y22	RES. RK 474J 1/16 -CP
○ R359	06T25277Y89	RES. RK 223J 1/16 -CP	R528	06T75431W59	RES. RK 102J 1/10 -CP
○ R360	06T25277Y89	RES. RK 223J 1/16 -CP	R529	06T75431W99	RES. RK 473J 1/10 -CP
○ R361	06T25277Y33	RES. RK 101J 1/16 -CP	R530	06T75431W99	RES. RK 473J 1/10 -CP
○ R362	06T25277Y33	RES. RK 101J 1/16 -CP	R531	06T75434W14	RES. RK 474J 1/4 -CP

NOTE : ○ : For TDA-7572R Model Only, ● : For TDA-7570R Model Only, Others : Common.

Symbol No.	Part No.	Description
R533	06T75431W59	RES. RK 102J 1/10 -CP
R534	06T75431W59	RES. RK 102J 1/10 -CP
R535	06T75431W59	RES. RK 102J 1/10 -CP
R536	06T75431W83	RES. RK 103J 1/10 -CP
R537	06T75431W83	RES. RK 103J 1/10 -CP
R539	06T25277Y97	RES. RK 473J 1/16 -CP
R541	06T75431W59	RES. RK 102J 1/10 -CP
R542	06T75431W79	RES. RK 682J 1/10 -CP
R543	06T75431W83	RES. RK 103J 1/10 -CP
R544	06T75431W91	RES. RK 223J 1/10 -CP
R549	06T75431W59	RES. RK 102J 1/10 -CP
R550	06T75431W91	RES. RK 223J 1/10 -CP
R551	06T75431W75	RES. RK 472J 1/10 -CP
R552	06T25277Y57	RES. RK 102J 1/16 -CP
R553	06T75431W91	RES. RK 223J 1/10 -CP
R554	06T75431W83	RES. RK 103J 1/10 -CP
R555	06T75431W83	RES. RK 103J 1/10 -CP
R559	06T25277Y81	RES. RK 103J 1/16 -CP
R560	06T25277Y89	RES. RK 223J 1/16 -CP
R561	06T75433W33	RES. RK 221J 1/4 -CP
R570	06T75431W91	RES. RK 223J 1/10 -CP
R580	06T75432W08	RES. RK 104J 1/10 -CP
R601	06T75431W83	RES. RK 103J 1/10 -CP
R602	06T75431W99	RES. RK 473J 1/10 -CP
R603	06T75433W73	RES. RK 103J 1/4 -CP
R604	06T25277Y81	RES. RK 103J 1/16 -CP
R605	06T75433W49	RES. RK 102J 1/4 -CP
R606	06T75431W83	RES. RK 103J 1/10 -CP
R607	06T25277Y33	RES. RK 101J 1/16 -CP
R608	06T25277Y65	RES. RK 222J 1/16 -CP
R609	06T25277Y69	RES. RK 332J 1/16 -CP
R610	06T25277Y81	RES. RK 103J 1/16 -CP
R611	06T75431W91	RES. RK 223J 1/10 -CP
R612	06T25277Y57	RES. RK 102J 1/16 -CP
R613	06T75433W13	RES. RK 33RJ 1/4 -CP
R614	06T75433W13	RES. RK 33RJ 1/4 -CP
R615	06T75433W13	RES. RK 33RJ 1/4 -CP
R616	06T75433W13	RES. RK 33RJ 1/4 -CP
R617	06T75433W13	RES. RK 33RJ 1/4 -CP
R618	06T75433W13	RES. RK 33RJ 1/4 -CP
R619	06T25277Y97	RES. RK 473J 1/16 -CP
R620	06T25277Y97	RES. RK 473J 1/16 -CP
R621	06T75431W91	RES. RK 223J 1/10 -CP
R622	06T75431W91	RES. RK 223J 1/10 -CP
R623	06T75431W91	RES. RK 223J 1/10 -CP
○ R633	06T25277Y57	RES. RK 102J 1/16 -CP
○ R634	06T25277Y57	RES. RK 102J 1/16 -CP
○ R635	06T25277Y57	RES. RK 102J 1/16 -CP
R636	06T25277Y57	RES. RK 102J 1/16 -CP

Symbol No.	Part No.	Description
R637	06T25277Y57	RES. RK 102J 1/16 -CP
R638	06T25277Y57	RES. RK 102J 1/16 -CP
R656	06T75433W34	RES. RK 241J 1/4 -CP
R801	06T75433W82	RES. RK 243J 1/4 -CP
R802	06T75433W55	RES. RK 182J 1/4 -CP
R803	06T75433W55	RES. RK 182J 1/4 -CP
R804	06T75433W55	RES. RK 182J 1/4 -CP
R805	06T75433W55	RES. RK 182J 1/4 -CP
R806	06T75433W65	RES. RK 472J 1/4 -CP
R807	06T75433W65	RES. RK 472J 1/4 -CP
R808	06T25277Y57	RES. RK 102J 1/16 -CP
R809	06T75433W73	RES. RK 103J 1/4 -CP
R811	06T75431W59	RES. RK 102J 1/10 -CP
R813	06T75433W33	RES. RK 221J 1/4 -CP
R814	06T75434W23	RES. RK 5R6J 1/4 -CP
R815	06T75433W39	RES. RK 391J 1/4 -CP
R817	06T75434W22	RES. RK 2R2J 1/4 -CP
R818	06T75434W22	RES. RK 2R2J 1/4 -CP
R819	06T75433W41	RES. RK 471J 1/4 -CP
R820	06T75431W60	RES. RK 112J 1/10 -CP
R821	06T75431W60	RES. RK 112J 1/10 -CP
R822	06T75431W60	RES. RK 112J 1/10 -CP
R823	06T75431W60	RES. RK 112J 1/10 -CP
R824	06T75433W65	RES. RK 472J 1/4 -CP
R831	06T25277Y69	RES. RK 332J 1/16 -CP
R832	06T75433W49	RES. RK 102J 1/4 -CP
R833	06T75433W73	RES. RK 103J 1/4 -CP
R837	06T75431W92	RES. RK 243J 1/10 -CP
R838	06T75433W55	RES. RK 182J 1/4 -CP
R839	06T75433W55	RES. RK 182J 1/4 -CP
R840	06T75434W25	RES. RK 8R2J 1/4 -CP
R841	06T75434W25	RES. RK 8R2J 1/4 -CP
R842	06T75434W25	RES. RK 8R2J 1/4 -CP
R843	06T75434W25	RES. RK 8R2J 1/4 -CP
R847	06T75431W83	RES. RK 103J 1/10 -CP
R850	06T25277Y61	RES. RK 152J 1/16 -CP
R851	06T25277Y65	RES. RK 222J 1/16 -CP
R853	06T25277Y65	RES. RK 222J 1/16 -CP
R854	06T25277Y61	RES. RK 152J 1/16 -CP
R855	06T75433W01	RES. RK 10RJ 1/4 -CP
R856	06T75433W15	RES. RK 39RJ 1/4 -CP
R857	06T75433W15	RES. RK 39RJ 1/4 -CP
R858	06T75433W15	RES. RK 39RJ 1/4 -CP
R859	06T75433W15	RES. RK 39RJ 1/4 -CP
R860	06T25277Y59	RES. RK 122J 1/16 -CP
R861	06T25277Y73	RES. RK 472J 1/16 -CP
R862	06T25277Y77	RES. RK 682J 1/16 -CP
R863	06T75431W83	RES. RK 103J 1/10 -CP
R864	06T75431W83	RES. RK 103J 1/10 -CP

NOTE : ○ : For TDA-7572R Model Only. Others : Common.

Symbol No.	Part No.	Description
R865	06T25277Y81	RES. RK 103J 1/16 -CP
R866	06T25277Y81	RES. RK 103J 1/16 -CP
R867	06T25277Y77	RES. RK 682J 1/16 -CP
R868	06T75431W83	RES. RK 103J 1/10 -CP
R869	06T25277Y41	RES. RK 221J 1/16 -CP
R870	06T75431W87	RES. RK 153J 1/10 -CP
R872	06T75433W35	RES. RK 271J 1/4 -CP
R873	06T75433W35	RES. RK 271J 1/4 -CP
R875	06T75433W41	RES. RK 471J 1/4 -CP
R876	06T15443W59	RES. RK 182F 1/10 -CP
R877	06T15443W71	RES. RK 562F 1/10-CP
R881	06T75434W23	RES. RK 5R6J 1/4 -CP
R882	06T75431W83	RES. RK 103J 1/10 -CP
R883	06T75434W22	RES. RK 2R2J 1/4 -CP
RA505	06S45591W06	RES. ARY MNR102J 4-CP
RA506	06S45591W06	RES. ARY MNR102J 4-CP
RA507	06S45591W06	RES. ARY MNR102J 4-CP
Connectors		
○ CB101	09T25684Y21	FFC, SLW21R-1C7 -DB
○ CB330	09T25738Y06	WTB, 53254-0610 -DB
● CB331	09T25436Y03	WTB, 53253-0310 -DB
CB501	09T45434W15	FFC, 52271-1590 -ED
CB601	09T25436Y02	WTB, 53253-0210 -DB
CB603	09T35080Y02	WTB, SZ15-02WS -DB
Front P. W. Board		
IC's		
IC401	51T85152W01	LC75883 -QT
IC402	51T15186Y01	LC75823W -QT
IC403	51T95040W01	SBX8035F -NS
Transistors		
Q405	48T52439F01	TR, 2SD602A-RS-TX -CP
Q406	48T52439F01	TR, 2SD602A-RS-TX -CP
Q408	48T64222F02	TR, UN2212 22-22 -TX
Q409	48T64222F01	TR, UN2211 10-10 -TX
Q410	48T64222F01	TR, UN2211 10-10 -TX

Symbol No.	Part No.	Description
Diodes		
D401	48T81063F01	D10, CP, MA159 / TX-CP
D402	48T94471F01	TR, IMN10
D405	48T85357W01	D10, 1PS226 -CP
D406	48T85357W01	D10, 1PS226 -CP
D407	48T85357W01	D10, 1PS226 -CP
D408	48T85357W01	D10, 1PS226 -CP
D409	48T85357W01	D10, 1PS226 -CP
LED's		
LD401	48T75261W01	LED, SML-020PDTT87-CP (ORG/GRN)
LD402	48T75261W01	LED, SML-020PDTT87-CP (ORG/GRN)
LD403	48T75261W01	LED, SML-020PDTT87-CP (ORG/GRN)
LD404	48T75261W01	LED, SML-020PDTT87-CP (ORG/GRN)
LD405	48T75261W01	LED, SML-020PDTT87-CP (ORG/GRN)
LD406	48T75261W01	LED, SML-020PDTT87-CP (ORG/GRN)
LD407	48T75261W01	LED, SML-020PDTT87-CP (ORG/GRN)
LD408	48T75261W01	LED, SML-020PDTT87-CP (ORG/GRN)
LD409	48T75261W01	LED, SML-020PDTT87-CP (ORG/GRN)
LD410	48T75261W01	LED, SML-020PDTT87-CP (ORG/GRN)
LD411	48T75261W01	LED, SML-020PDTT87-CP (ORG/GRN)
LD412	48T75261W01	LED, SML-020PDTT87-CP (ORG/GRN)
LD413	48T75261W01	LED, SML-020PDTT87-CP (ORG/GRN)
LD416	48T25583Y01	LED, KB1111CE -CP (BLU)
LD417	48T25534Y02	LED, BR1111C -CP (RED)
LD418	48T25534Y02	LED, BR1111C -CP (RED)
Inverter		
INV401	01T95281W08	ASSY, INV 7852R0
Switches		
SW402	40T55656W06	SW, TACT SKQMAJ001-E2 (TUNE A. ME UP/FWD)
SW403	40T55656W06	SW, TACT SKQMAJ001-E2 (PLAY/PAUSE/TUNE A. ME)
SW404	40T55656W06	SW, TACT SKQMAJ001-E2 (TUNE A. ME DN/RWD)
○ SW405	40T55656W06	SW, TACT SKQMAJ001-E2 (MODE/BBE)
● SW405	40T55656W06	SW, TACT SKQMAJ001-E2 (LOUD)
SW406	40T55656W06	SW, TACT SKQMAJ001-E2 (SOURCE/PWR)
SW407	40T55656W06	SW, TACT SKQMAJ001-E2 (BAND/PROG/T. S. M.)
SW408	40T55656W06	SW, TACT SKQMAJ001-E2 (AF)

NOTE : ○ : For TDA-7572R Model Only, ● : For TDA-7570R Model Only, Others : Common.

Symbol No.	Part No.	Description
SW409	40T55656W06	SW, TACT SKQMAJ001-E2 (AUDIO UP)
SW410	40T55656W06	SW, TACT SKQMAJ001-E2 (AUDIO DOWN)
SW411	40T55656W06	SW, TACT SKQMAJ001-E2 (F/DEMO)
SW412	40T55656W06	SW, TACT SKQMAJ001-E2 (F1)
SW413	40T55656W06	SW, TACT SKQMAJ001-E2 (F2)
SW414	40T55656W06	SW, TACT SKQMAJ001-E2 (F3)
SW415	40T55656W06	SW, TACT SKQMAJ001-E2 (F4)
SW416	40T55656W06	SW, TACT SKQMAJ001-E2 (F5)
SW417	40T55656W06	SW, TACT SKQMAJ001-E2 (F6)
SW418	40T55656W06	SW, TACT SKQMAJ001-E2 (EJECT)
SW419	40T55656W06	SW, TACT SKQMAJ001-E2 (TITLE/T. R. V. S.)
SW420	40T55656W06	SW, TACT SKQMAJ001-E2 (MUTE/DISP)
SW421	40T55656W06	SW, TACT SKQMAJ001-E2 (ANGLE UP)
SW422	40T55656W06	SW, TACT SKQMAJ001-E2 (ANGLE DN)
SW423	40T55656W06	SW, TACT SKQMAJ001-E2 (T. INFO/S. P. S.)
SW424	40T55656W06	SW, TACT SKQMAJ001-E2 (RESET)
Capacitors		
C401	08S53332F51	CAP, CP . 223-K-B -CP
C402	08S82122F61	CAP, CER. 102J-CH1H-CP
C403	08T15399W03	CAP, CER. 473K-B1H -CP
C404	08T15399W03	CAP, CER. 473K-B1H -CP
C405	08S53332F62	CAP, CP . 473-K-B -CP
C406	08T15399W03	CAP, CER. 473K-B1H -CP
C407	08T15399W03	CAP, CER. 473K-B1H -CP
C408	08S82122F57	CAP, CER. 681J-CH1H-CP
C409	08S35374W01	CAP, CER 104K-B1E-CP
E402	23S55311W42	CAP, TAN. 4R7-1D-B -CP
Resistors		
R401	06T75431W59	RES, RK 102J 1/10 -CP
R402	06T75431W59	RES, RK 102J 1/10 -CP
R403	06T75431W59	RES, RK 102J 1/10 -CP
R404	06T75431W59	RES, RK 102J 1/10 -CP
R405	06T75431W59	RES, RK 102J 1/10 -CP
R406	06T75431W59	RES, RK 102J 1/10 -CP
R407	06T75431W59	RES, RK 102J 1/10 -CP
R418	06T75431W98	RES, RK 433J 1/10 -CP
R423	06T75431W59	RES, RK 102J 1/10 -CP
R424	06T75431W98	RES, RK 433J 1/10 -CP
R428	06T75431W59	RES, RK 102J 1/10 -CP
R429	06T75431W59	RES, RK 102J 1/10 -CP
R430	06T75431W59	RES, RK 102J 1/10 -CP
R431	06T75431W59	RES, RK 102J 1/10 -CP

Symbol No.	Part No.	Description
R432	06T75431W59	RES, RK 102J 1/10 -CP
R433	06T75431W59	RES, RK 102J 1/10 -CP
R434	06T75431W59	RES, RK 102J 1/10 -CP
R435	06T75431W59	RES, RK 102J 1/10 -CP
R436	06T75431W59	RES, RK 102J 1/10 -CP
R437	06T75431W59	RES, RK 102J 1/10 -CP
R438	06T75433W39	RES, RK 391J 1/4 -CP
R439	06T75433W27	RES, RK 121J 1/4 -CP
R440	06T75433W43	RES, RK 561J 1/4 -CP
R441	06T75433W27	RES, RK 121J 1/4 -CP
R442	06T75433W33	RES, RK 221J 1/4 -CP
R443	06T75433W26	RES, RK 111J 1/4 -CP
R444	06T75433W37	RES, RK 331J 1/4 -CP
R445	06T75433W33	RES, RK 221J 1/4 -CP
R446	06T75433W39	RES, RK 391J 1/4 -CP
R447	06T75433W33	RES, RK 221J 1/4 -CP
R449	06T75433W41	RES, RK 471J 1/4 -CP
R451	06T75431W67	RES, RK 222J 1/10 -CP
R455	06T75431W67	RES, RK 222J 1/10 -CP
R456	06T75433W43	RES, RK 561J 1/4 -CP
R458	06T75431W35	RES, RK 101J 1/10 -CP
R459	06T75431W75	RES, RK 472J 1/10 -CP
R464	06T75432W08	RES, RK 104J 1/10 -CP
R465	06T75433W43	RES, RK 561J 1/4 -CP
RA401	06S45591W06	RES, ARY MNR102J 4-CP
RA402	06S45591W06	RES, ARY MNR102J 4-CP
DOOR P. W. Board		
Connector		
CB691	01T25708Y01	ASSY, WIRE CK DET
GR Control P. W. Board		
IC's		
○ IC1101	51T25452Y01	CXA2561Q-T4 -QE6
● IC1101	51T25451Y01	CXA2560Q-T4 -QE6
IC1501	51T75628W02	BA6285AFP-Y-E2 -SE9

NOTE : ○ : For TDA-7572R Model Only, ● : For TDA-7570R Model Only, Others : Common.

Symbol No.	Part No.	Description
Transistors		
Q1101	48T62967F06	TR, DTC114YKA-T146-CP
Q1103	48T62967F06	TR, DTC114YKA-T146-CP
Q1501	48T84366F05	TR, 2SB1243-R-TV2 -RD
Q1502	48T62967F06	TR, DTC114YKA-T146-CP
Q1503	48T62967F06	TR, DTC114YKA-T146-CP
Q1504	48T83835F03	TR, 2SD1859-Q-TV2 -RD
Diodes		
D1101	48T81063F01	D10, CP, MA159 / TX-CP
D1501	48T81063F01	D10, CP, MA159 / TX-CP
D1502	48T81063F01	D10, CP, MA159 / TX-CP
ZD1501	48T25766W11	D10, ZEN, HZS 7A2L -R5
Capacitors		
C1101	08S82122F55	CAP, CER, 561J-CH1H-CP
C1102	08S82122F55	CAP, CER, 561J-CH1H-CP
C1103	08S82122F55	CAP, CER, 561J-CH1H-CP
C1104	08S82122F55	CAP, CER, 561J-CH1H-CP
C1105	08S65128F71	CAP, CER, 153K-B1H -CP
C1106	08S65128F71	CAP, CER, 153K-B1H -CP
C1107	08S35374W01	CAP, CER 104K-B1E-CP
C1108	08S35374W01	CAP, CER 104K-B1E-CP
C1109	08S35374W01	CAP, CER 104K-B1E-CP
C1110	08T15399W05	CAP, CER, 683K-B1H -CP
C1111	08T15399W05	CAP, CER, 683K-B1H -CP
C1113	08S35374W01	CAP, CER 104K-B1E-CP
C1114	08S35374W01	CAP, CER 104K-B1E-CP
C1115	08S35374W01	CAP, CER 104K-B1E-CP
C1116	08T15399W05	CAP, CER, 683K-B1H -CP
C1501	08S35374W01	CAP, CER 104K-B1E-CP
C1502	08S35374W01	CAP, CER 104K-B1E-CP
E1101	23S75372W05	CAP, ELY 22R-1C -R2
E1102	23S75372W05	CAP, ELY 22R-1C -R2
Resistors		
J1100	06S53331F39	RES, CP . JUMPER1/8-CP
J1101	06S53331F39	RES, CP . JUMPER1/8-CP
J1102	06S53331F39	RES, CP . JUMPER1/8-CP
J1103	06S53331F39	RES, CP . JUMPER1/8-CP
J1104	06S53331F39	RES, CP . JUMPER1/8-CP
J1105	06S53331F39	RES, CP . JUMPER1/8-CP
J1106	06S53331F39	RES, CP . JUMPER1/8-CP

Symbol No.	Part No.	Description
J1107	06S53331F39	RES, CP . JUMPER1/8-CP
J1108	06S53331F39	RES, CP . JUMPER1/8-CP
J1109	06S53331F39	RES, CP . JUMPER1/8-CP
J1110	06S64996F39	RES, RK JUMPER 1/8-CP
J1111	06S53331F39	RES, CP . JUMPER1/8-CP
J1112	06S53331F39	RES, CP . JUMPER1/8-CP
J1113	06S53331F39	RES, CP . JUMPER1/8-CP
J1114	06S53331F39	RES, CP . JUMPER1/8-CP
J1115	06S53331F39	RES, CP . JUMPER1/8-CP
J1116	06S53331F39	RES, CP . JUMPER1/8-CP
J1117	06S53331F39	RES, CP . JUMPER1/8-CP
J1118	06S53331F39	RES, CP . JUMPER1/8-CP
J1119	06S53331F39	RES, CP . JUMPER1/8-CP
J1120	06S53331F39	RES, CP . JUMPER1/8-CP
J1121	06S53331F39	RES, CP . JUMPER1/8-CP
J1122	06S53331F39	RES, CP . JUMPER1/8-CP
J1124	06S53331F39	RES, CP . JUMPER1/8-CP
J1125	06S53331F39	RES, CP . JUMPER1/8-CP
J1126	06S53331F39	RES, CP . JUMPER1/8-CP
J1127	06S53331F39	RES, CP . JUMPER1/8-CP
J1128	06S53331F39	RES, CP . JUMPER1/8-CP
J1129	06S53331F39	RES, CP . JUMPER1/8-CP
J1130	06S53331F39	RES, CP . JUMPER1/8-CP
J1131	06S53331F39	RES, CP . JUMPER1/8-CP
J1132	06S64996F39	RES, RK JUMPER 1/8-CP
J1133	06S64996F39	RES, RK JUMPER 1/8-CP
J1134	06S53331F39	RES, CP . JUMPER1/8-CP
J1136	06S64996F39	RES, RK JUMPER 1/8-CP
J1137	06S64996F39	RES, RK JUMPER 1/8-CP
R1101	06S64995F35	RES, RK 181J 1/8 -CP
R1102	06S64995F35	RES, RK 181J 1/8 -CP
R1103	06S64995F84	RES, RK 203J 1/8 -CP
R1103	06S64995F83	RES, RK 183J 1/8 -CP
R1104	06S64995F95	RES, RK 563J 1/8 -CP
R1105	06S64995F78	RES, RK 113J 1/8 -CP
R1106	06S64996F26	RES, RK 105J 1/8 -CP
R1110	06S53330F29	RES, CP . 101-J-1/8-CP
R1111	06S53330F77	RES, CP . 103-J-1/8-CP
R1112	06S53330F77	RES, CP . 103-J-1/8-CP
R1113	06S64995F77	RES, RK 103J 1/8 -CP
R1114	06S53330F77	RES, CP . 103-J-1/8-CP
R1507	06S70072F41	RES, CP . 331-J-1/4-CP
R1508	06S70072F41	RES, CP . 331-J-1/4-CP
R1509	06S64995F77	RES, RK 103J 1/8 -CP
R1510	06S70072F60	RES, CP . 202-J-1/4-CP
R1511	06S70072F60	RES, CP . 202-J-1/4-CP
R1512	06S64996F01	RES, RK 913J 1/8 -CP
R1513	06S64996F01	RES, RK 913J 1/8 -CP
R1514	06S70072F53	RES, CP . 102-J-1/4-CP

Symbol No.	Part No.	Description
R1515	06S81094F09	RES, MF . 4R7-1/2-J-A1
VR1101	18T93996F13	VAR, RH0422C 103 +
VR1102	18T93996F13	VAR, RH0422C 103 +
Connector		
CB1101	09T25446Y21	FFC, 52089-2110 -DB
Miscellaneous		
CB401	01T35001Y01	Assy. Unizon Connector
CFL401	65T25089Y04	FL Tube, CTY22P2-110N98
CH401	09T25444Y15	BTB, 55323-1511
CH501	01T25413Y01	Assy. . 2P Connector
DIN801	09T55071W11	Ai-NET Connector
ET001	01T15513W26	Assy. . Antenna Receptacle
ET301	01T15332Y08	Assy. . RCA Connector (NFP/FRONT/REAR)
ET301	01T15332Y07	Assy. . RCA Connector (REAR)
ET801	09T55175W16	SP, Output & Power Supply Connector
HD1101	88T75612W03	Assy. . Head
JK601	09T95460W01	Remote Control Interface Connector
LCD401	65T25719Y01	LCD Display
M501	59T65085W01	Nose Motor (7V-370mA)
M1501	01V31600Y41	Assy. . Main Motor (13. 2V-90mA)
M1502	01V24100Y88	Assy. . Sub Motor (7V-370mA)
PT1501	51T63433F03	Sensor, Photo ON2170-R2
PT1502	51T63433F03	Sensor, Photo ON2170-R2
SWG01	40T15494Y01	SW, DETCT SPVG23 (NOSE CLOSE DET)
SWG02	40T15494Y02	SW, DETCT SPVG13 (NOSE OPEN DET)
SWG91	40T95060W03	SW, DETCT SPPB53H (CASSETTE DOOR DET)
SW1501	40T15222W01	SW, DETECTOR (PACK IN)
SW1502	40T15382W02	SW, DETECT SPPB32 (PAUSE)
SW1503	40T15382W02	SW, DETECT SPPB32 (MODE)
SW1504	40T15382W02	SW, DETECT SPPB32 (METAL)

Symbol No.	Part No.	Description
------------	----------	-------------

NOTE : ○ : For TDA-7572R Model Only, ● : For TDA-7570R Model Only, Others : Common.

NOTE : ○ : For TDA-7572R Model Only, ● : For TDA-7570R Model Only, Others : Common.

Exploded View (Cabinet)

NOTE : The screws marked "※1~4" are disassembly parts.

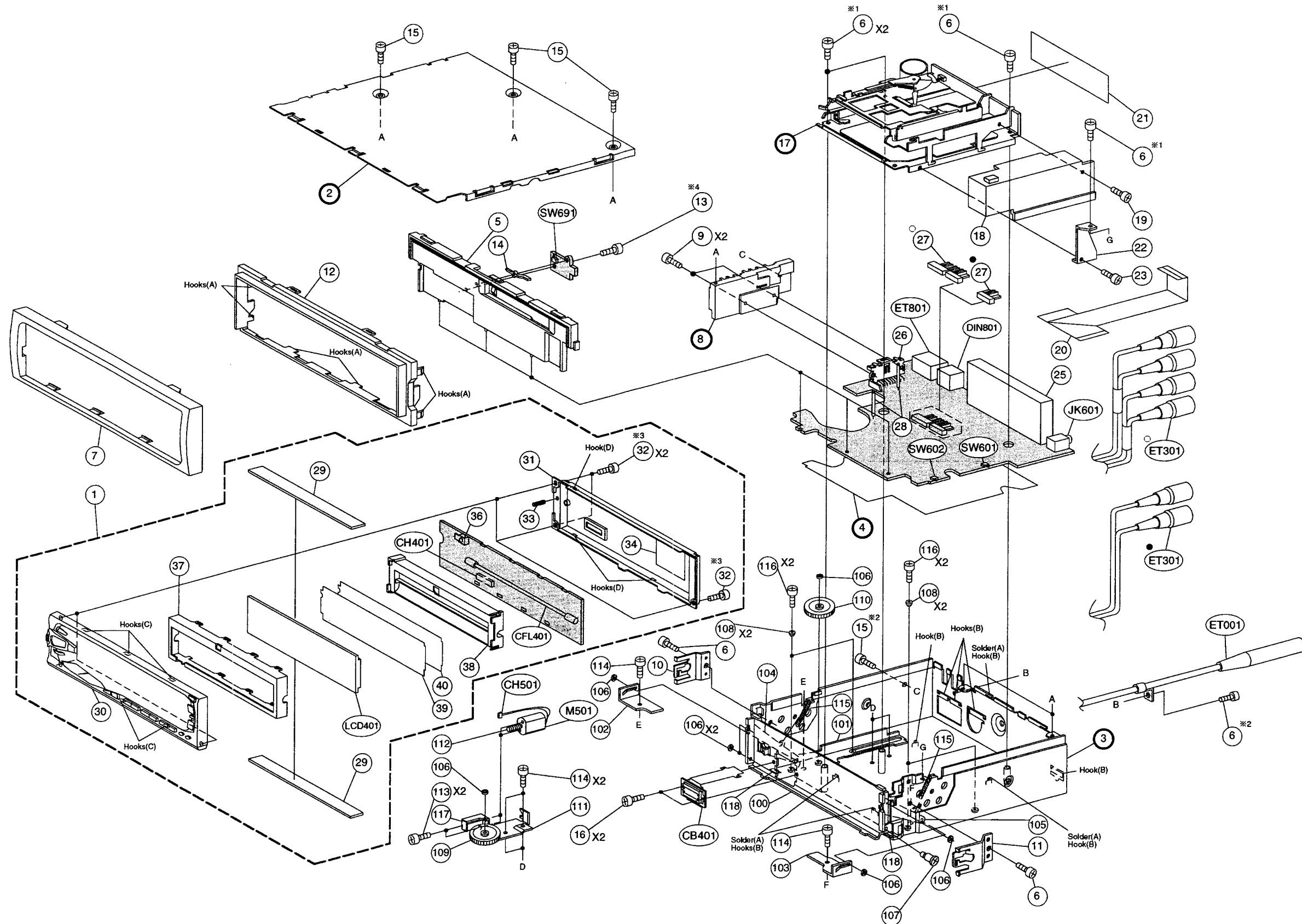
1

2

3

4

5



NOTE : ○ : For TDA-7572R Model Only,
● : For TDA-7570R Model Only,
Others : Common.

A | B -55- | C | D | E | F -56- | G |

Cabinet Assembly Parts List

NOTE: Parts without part number are not supplied.

Symbol No.	Index	Part No.	Description	Symbol No.	Index	Part No.	Description
○ 1	3-B	01V26800Y13	Assy., Nose Unit	109	5-C	44A20248Y02	Gear, Slider
● 1	3-B	01V26800Y23	Assy., Nose Unit	110	4-E	44T25192Y01	Assy., Gear Clutch
5	2-C	13C21370Y03	Assy., Nose Base (CM)	111	5-D	07C20740Y01	Bracket, Motor
6		03S44205G07	Screw, Pan (M2.6X5)	112	4-C	44A90467W02	Gear, Worm
7	3-B	33C10618Y01	Face, Plate	113	5-C	03S68259F23	Screw, Pan (M2X3)
9	2-D	03S38013W05	Screw, Pan (M2.6X16)	114		03S94385F13	Screw, Nylok Pan (M2.6X3)
10	4-D	07D91595W01	Assy., Bracket Side	115		41A22014Y01	Spring, Extension
11	5-F	07D91595W02	Assy., Bracket Side (R)	116		03S94385F24	Screw, Nylok Pan (M2X3)
12	2-C	13D21372Y01	Cover, Nose Base	117	5-C	14S11351Y95	Insulator, Cover
13	2-D	03S68555F20	Screw, Pan (M1.7X5)	118	5-E	75S21219Y48	Cushion, Rubber
14	2-C	45A20240Y01	Lever, Switch TAPE				
15		03S71677F02	Screw, Pan (M2.6X6)				
16	5-D	03S94385F77	Screw, Nylok Pan (M1.7X3)				
18	2-F	26B30289Y01	Assy., Shield Case				
19	2-G	03S71677F61	Screw, Pan (M1.7X6)				
20	3-F	30T25456Y06	FFC, SMCD-21X200-BDX6 (BL)				
21	2-G	14S81482F81	Insulator, Cover				
22	2-G	07A21991Y01	Bracket, Deck (CM)				
23	2-G	03S44205G07	Screw, Pan (M2.6X5)				
25	3-F	77C10163Y01	FM/MW/LW Tuner Unit, MB4R603S (FE001)				
26	2-E	07B21382Y01	Bracket, IC				
○ 27	2-F	36A80303W01	Knob, Slide				
● 27	2-F	36A70327W01	Knob, Slide				
28	3-E	09T84840F02	Lug, Style				
29		75T85248W11	Rubber, Electric				
○ 30	4-B	13D21862Y04	Assy., Nosepiece				
● 30	4-B	13D21862Y05	Assy., Nosepiece				
31	3-D	13D21369Y01	Nose, Bottom				
32		03S68555F20	Screw, Pan (M1.7X5)				
33	3-D	41A50111W10	Spring, Knob				
34	3-D	26A30291Y01	Shield, Plate				
36	3-C	07A11037Y01	Bracket, Remote				
37	3-B	15B21386Y01	Cover, LCD				
38	4-C	15C21387Y01	Case, LCD				
39	4-C	26A21388Y01	Reflector, Sheet (A)				
40	4-C	26A21388Y02	Reflector, Sheet (B)				
100	5-E	01C21375Y01	Assy., Bracket F Base				
101	4-E	07B21380Y01	Bracket, Slider				
102	4-D	07B20734Y01	Bracket, Base L				
103	5-E	07B20734Y02	Bracket, Base R				
104	4-E	07A21381Y01	Bracket, Arm (L)				
105	5-F	07A21381Y02	Bracket, Arm (R)				
106		04B41345P54	Washer, Polyslider (M1.7)				
107	5-E	03A20851Y02	Screw, Slider				
108		49A22103Y01	Roller, Slider Front				

NOTE : ○ : For TDA-7572R Model Only, ● : For TDA-7570R Model Only, Others : Common.

Disassembly Instructions

1. Removal of Nose Unit

- (1) Refer to the Owner's Manual (Part No. 68P21523Y46).

2. Removal of Nose Base

- (1) After removal of Top Cover and Side Bracket, Hooks (A) (2-B, 3-C)
Face Plate, remove 6 Hooks (A).
Remove Nose Base Cover.
- (2) Disconnect connector connected to DOOR P.W. Board.
- (3) Pull out Nose Base upper.
Remove Nose Base and DOOR P.W.Board attached.

3. Removal of Cassette Deck Mechanism

- (1) After removal of Top Cover, remove 4 screws No.6. Screws No. 6 (※1) (1-E, 1-F, 2-G)
- (2) Disconnect FFC 21P No. 20 connected to FFC 21P No. 20 (3-F)
Main P.W. Board.
Remove Cassette Deck Mechanism and
Shield Case, Deck Bracket attached.

4. Removal of Main P.W. Board

- (1) After removal of Nose Base and Cassette Deck Mechanism, Screw No. 6 (※2) (4-G)
remove 2 screws No. 6 and 15. Screw No. 15 (※2) (4-E)
- (2) Desolder (A) at 4 locations and release Hooks (B) at 9 locations. Solder (A) (4-F, 5-E, 5-F)
Hooks (B) (4-F, 5-E, 5-F)
- (3) Disconnect all connector connected to Main P.W. Board.
Remove Main P.W. Board and Heat Sink attached.

5. Removal of Front P.W. Board

- (1) After removal of Nose Unit, remove 3 screws No. 32 and Screws No. 32 (※3) (3-D, 4-E)
5 Hooks (C). Hooks (C) (4-B)
Remove Nose Bottom.
- (2) Remove 3 Hooks (D). Hooks (D) (3-D, 4-D)

6. Removal of DOOR P.W. Board

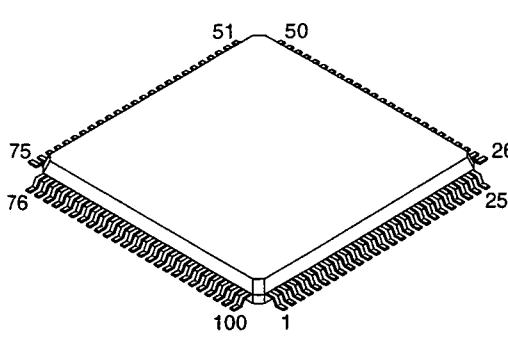
- (1) After removal of Nose Base, remove 1 screw No. 13. Screw No. 13 (※4) (2-D)

NOTE : For the screws No., Hook and Solder, refer to the Exploded View (Cabinet) .

Semi-Conductor Lead Identifications

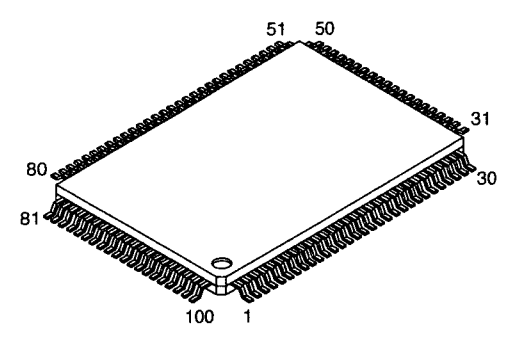
NOTE : For the parts not mentioned, refer to the Schematic Diagram.

D78F4218GC : IC501



PIN NO.	CODE ADDRESS	I/O	PIN NO.	CODE ADDRESS	I/O	PIN NO.	CODE ADDRESS	I/O	PIN NO.	CODE ADDRESS	I/O
1	MS DET	I	27	GND	—	53	NC	—	76	NC	—
2	NR-SW	O	28	AUDIO LEVEL	I	54	IN-INT	I	77	NC	—
3	O. FAST	O	29	GND	—	55	LIMIT SW2	I	78	NC	—
4	NR-MODE	O	30	GND	—	56	LIMIT SW1	I	79	NC	—
5	R-IN	O	31	GND	—	57	DOOR SW	I	80	NC	—
6	F-IN	—	32	AREA	I	58	MOTOR REV	O	81	VDD	—
7	PACK-IN	I	33	AVSS	—	59	MOTOR FOR	O	82	PWR IC-ON	O
8	NC	—	34	NC	—	60	DOOR LED	O	83	NOSE-PWR	O
9	VDD	—	35	DTS CE	O	61	NC	—	84	CFLON	O
10	X2	—	36	AVREF1	—	62	NC	—	85	PWR-CONT	O
11	X1	—	37	DTS STS	I	63	NC	—	86	NC (PULL UP)	—
12	VSS	—	38	DTS CMD	O	64	EV-DATA	O	87	DIMMER-CONT	O
13	NC	—	39	DTS CLK	O	65	EV-CLK	O	88	BUZZER	O
14	VSS	—	40	METAL	I	66	○ BBE-1	O	89	FOR-RUN-DET	I
15	RESET	I	41	GND	—	67	● NC	—	90	NC	—
16	BAT-DET	I	42	F/R	O	68	○ BBE-2	O	91	REMOCON	I
17	ACC-DET	I	43	DTS MUTE	I	69	● NC	—	92	NC	—
18	O. MOTOR	O	44	LCD-RST	O	70	○ BBE-3	O	93	NC	—
19	BUS-IN	I	45	LCD-DO	I	71	● NC	—	94	Vpp	—
20	BUS-OUT	O	46	LCD-DI	O	72	—	—	95	NC	—
21	REV-RUN-DET	I	47	LCD-CLK	O	73	NFP-1	—	96	NC	—
22	MODE-SW	I	48	LCD-CE	O	74	NFP-2	O	97	NC	—
23	AVDD	—	49	NC	—	75	MUTE	O	98	NC	—
24	AVREF0	—	50	NC	—	76	VSS	—	99	NC	—
25	GND	—	51	IN DIMMER	I	77	MOTOR-CONT	O	100	PAU-SW	I
26	NOSE-ON	I	52	NC	—	78	NC	—	—	—	—

MB89689PF : IC502



PIN NO.	CODE ADDRESS	I/O	PIN NO.	CODE ADDRESS	I/O	PIN NO.	CODE ADDRESS	I/O	PIN NO.	CODE ADDRESS	I/O
1	VCC	—	26	NC	—	51	NC	—	76	SEEK Req.	O
2	NC	—	27	NC	—	52	NC	—	77	RDS RESET	O
3	X0A	—	28	NC	—	53	TUNER CLK	I	78	SD	I
4	MOD0	—	29	NC	—	54	TUNER SI	I	79	PSWN	I
5	MOD1	—	30	NC	—	55	TUNER SO	O	80	Auto Adj.	I
6	X0	O	31	NC	—	56	RDS SDA	I/O	81	NC	—
7	X1	I	32	NC	—	57	RDS CLK	O	82	LO / DX	O
8	VSS	—	33	NC	—	58	GND	—	83	NC	—
9	RESET	I	34	A-MUTE	O	59	VSS	—	84	AVSS	—
10	NC	—	35	GND	—	60	GND	—	85	S / M	I
11	NC	—	36	GND	—	61	GND	—	86	M / P	I
12	NC	—	37	GND	—	62	GND	—	87	GND	—
13	NC	—	38	GND	—	63	E2P SDA	I/O	88	GND	—
14	NC	—	39	NC	—	64	E2P CLK	O	89	GND	—
15	NC	—	40	NC	—	65	NC	—	90	GND	—
16	NC	—	41	NC	—	66	NC	—	91	GND	—
17	NC	—	42	NC	—	67	SEEK Req.	O	92	GND	—
18	NC	—	43	NC	—	68	GND	—	93	AVCC	—
19	NC	—	44	NC	—	69	AF HOLD	O	94	AVR	—
20	NC	—	45	RxD	I	70	NC	—	95	NC	—
21	NC	—	46	TxD	O	71	IF MUTE	O	96	NC	—
22	NC	—	47	NC	—	72	FM / AM	O	97	TUNER STBY	I
23	AM ST	—	48	NC	—	73	PLL CLK	O	98	NC	—
24	NC	—	49	NC	—	74	PLL DATA	I/O	99	DAVN	I
25	NC	—	50	VCC	—	75	PLL CE	O	100	NC	—

NOTE : ○ : For TDA-7572R Model Only, ● : For TDA-7570R Model Only, Others : Common.

Cassette Deck Mechanism Parts List

NOTE: Parts without part number are not supplied.

Symbol No.	Index	Part No.	Description	Symbol No.	Index	Part No.	Description
2		04B41345P32	Washer, Lock (M3.1)	59	3-D	04B41345P02	Washer, Lock (M1.7)
3		03S94385F80	Screw, Pan Nylok (M1.7X4)	61	3-F	04B41345P23	Washer, Lock (M1.7)
4	3-D	01A90342W03	Assy., Riv. Select Swing	62	3-C	45A90322W01	Lever, Eject Arm A
5	2-F	01A90340W02	Assy., Riv. RF Lever A	63	4-B	43A80018W01	Spacer, Polyslider
6	2-F	01A90341W01	Assy., Riv. RF Lever B				
7	2-F	41A71781W01	Spring, RF				
9	3-D	03C42723U12	Screw, Cup (M2X2.5)				
11	1-A	03A80452W02	Screw, F Locks (M2X10.7)				
13	2-B	41A31756W01	Spring, Head				
16	2-G	44A71747W01	Gear, Sun				
17		44A71748W01	Gear, Planet				
18	3-G	44A71749W01	Gear, Inner				
19	2-G	44A71751W01	Pinion, Eject Base				
20	2-F	44A71752W01	Pinion, Eject				
21		04B41345P11	Washer, Lock (M1.2)				
22	2-G	43A11228Y01	Spacer, NO443				
24	3-G	30T65174W07	Wire, Flat 10P				
26	5-B	07B40012W01	Holder, Cassette (D)				
27	3-C	45A71736W02	Lever, Pack In Switch				
28	4-C	43A71775W01	Roller, Plate Base				
29	4-C	04B41345P01	Washer, Lock (M1.2)				
30	4-B	04B41345P15	Washer, Lock (M1.2)				
32	4-C	44A71753W01	Rack, GR-S				
33	4-C	41A80634W01	Spring, Rack GR-S				
34	4-B	01A90346W03	Assy., Riv. Eject Arm (R)				
35	4-C	41B63283F11	Spring				
36	4-A	01A40024W03	Assy., Riv. Plate Base				
37	4-B	45B71750W01	Slider				
38		01B90350W01	Assy., Flywheel				
39		01B71784W01	Reel, GR-S				
40	3-B	01B30863W01	Assy., Pinch Roller				
41	3-B	01B30863W02	Assy., Pinch Roller				
42	3-F	44C90318W01	Rack, Mode B				
45	2-C	45B90320W03	Lever, Select				
46	3-E	45A71737W01	Lever, Mode Switch				
47	3-F	45A71733W01	Lever, Lock				
48	1-F	44A71741W01	Gear, Take Up				
49	2-F	44A71742W01	Gear, RF				
50		43A71743W01	Guide, Pack				
51	1-E	49A71744W01	Pulley, Idler				
52	3-D	44A71746W01	Pinion, Motor				
53		49A81855W01	Reel, Cap				
54	1-F	42A71780W02	Belt, GR-S				
55	1-B	41A10387W02	Spring, Pinch Roller				
56		43A71774W01	Roller, Mode				
57		03S44205G30	Screw, Pan (M2.6X4)				

Exploded View (Cassette Deck Mechanism)

(GR75S29C/29B)

1
2
3
4
5
A | B - 61 - | C | D | E | F - 62 - | G |

